



SPARE PARTS MANUAL

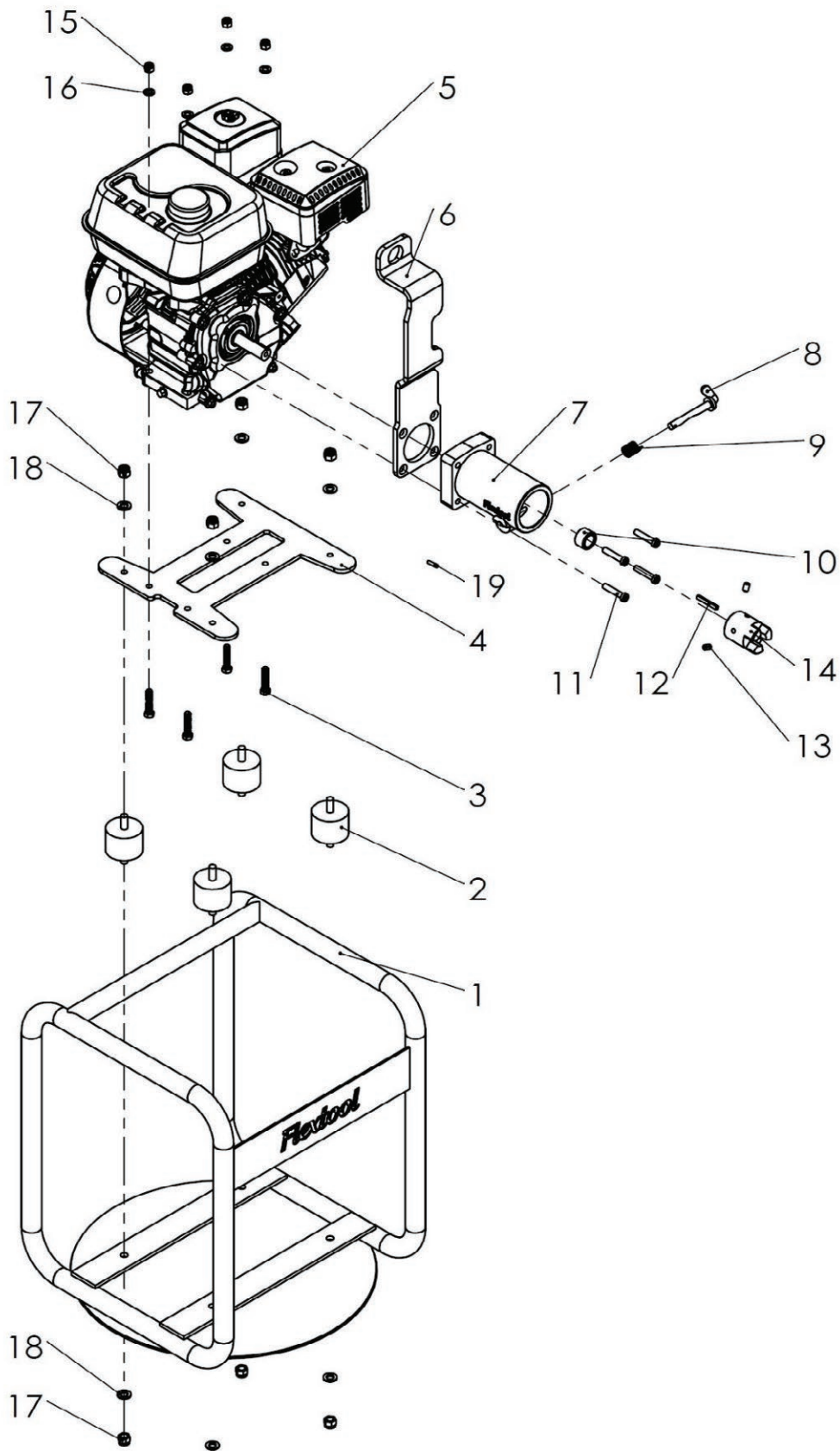
FLEXTOOL® DRIVE UNIT PETROL SUPER FDU-P2



Applies to serial numbers E01-10000 onwards

Version 1.0 (November 2021)

FOR MORE INFORMATION
CONTACT US ON 1300 353 986 OR VISIT flextool.com.au



Item No.	Product Code	Description	Qty	Remarks
1	NPS01578-UNIT	FLX DRIVE UNIT FRAME FDU-P2 (CNVR2-001)	1	
2	See Remarks	FLX RUBBER MOUNT (CNVR2-002)	4	Use SK-1
3	See Remarks	FLX BOLTCNVR1-005)	4	Use SK-2
4	NPS09593-UNIT	FLX ENGINE MOUNTING PLATE (CNVR2-004)	1	
5	NPS01628-UNIT	HON ENGINE GX160 QX (CNVR1-002)	1	
6	NPS02891-UNIT	FLX LIFTING HOOK (CNVR3-010)	1	
7	See Remarks	FLX BELL HOUSING (CNVR1-012)	1	Use AS-1
8	See Remarks	FLX TRIGGER (CNVR1-014)	1	Use SK-3 or AS-1
9	See Remarks	FLX TRIGGER SPRING (CNVR1-013)	1	Use SK-3 or AS-1
10	See Remarks	FLX SPACER (CNVR1-006)	1	Use SK-4
11	NPS01581-UNIT	FLX SOCKET HEAD CAP SCREW(CNVR3-015)	4	
12	See Remarks	FLX KEY (CNVR1-007)	1	Use SK-4
13	See Remarks	FLX GRUB SCREW (CNVR1-008)	2	Use SK-4
14	See Remarks	FLX DRIVE DOG (CNVR1-009)	1	Use SK-4
15	See Remarks	FLX NYLOCK NUT (CNVR1-003)	4	Use SK-2
16	See Remarks	FLX FLAT WASHER (CNVR1-004)	4	Use SK-2
17	See Remarks	FLX NYLOCK NUT (CNVR4A-001)	8	Use SK-1
18	See Remarks	FLX FLAT WASHER (CNVR4A-002)	8	Use SK-1
19	See Remarks	FLX ROLL PIN (CNVR1-011)	1	Use SK-3 or AS-1

Assembly / Service Kits

Item No.	Product Code	Description	Qty	Remarks
AS-1	NPS03374-UNIT	FLX ASSY BELL HOUSING (CNVR3-017)	1	Inc Items: 7,8,9,19
SK-1	NPS01579-UNIT	FLX SERVICE KIT RUBBER MOUNT FDU (CNVR2-020)	1	Inc Items: 2, 17, 19
SK-2	NPS01582-UNIT	FLX SERVICE KIT BOLT SET FDU (CNVR3-018)	1	Inc Items: 3, 15, 16
SK-3	NPS07159-UNIT	FLX SERVICE KIT TRIGGER (CNVR3-019)	1	Inc Items: 8, 9, 19
SK-4	NPS07161-UNIT	FLX SERVICE KIT DRIVE DOG GX160-QX (CNVR3-016)	1	Inc Items: 10, 12, 13, 14



Parchem Construction Supplies Pty Ltd

1956 Dandenong Road, Clayton VIC 3168, Australia

Phone: 1300 353 986

flextool.com.au

ABN 80 069 961 968

This manual summarises our best knowledge of the product based on the information available at the time of publication. You should read this manual carefully and consider the information in the context of how the product will be used. Our responsibility for products sold is subject to our standard terms and conditions of sale.

DISCLAIMER:

Any advice, recommendation, information, assistance or service provided by us in this manual is given in good faith and is believed by us to be appropriate and reliable. However, any advice, recommendation, information, assistance or service provided by us is provided without liability or responsibility PROVIDED THAT the foregoing shall not exclude, limit, restrict or modify the right entitlements and remedies conferred upon any person or the liabilities imposed upon us by any condition or warranty implied by Commonwealth, State or Territory Act or ordinance void or prohibiting such exclusion limitation or modification. The product can be expected to perform as indicated in this manual so long as operation and operational procedures of the individual products are followed as recommended in this manual.

Design and technical specifications may be subject to changes.

© This publication is copyright. All rights are reserved. Flextool is a registered trade mark and TuffTruk is a trade mark of Parchem Construction Supplies Pty Ltd.

FOR MORE INFORMATION

CONTACT US ON 1300 353 986 OR VISIT flextool.com.au