

PARTS LIST

HATZ DIESEL ENGINE

1D81S-325

FOR MIKASA PRODUCTS

WITH PRODUCT NAME

HYDRAULIC REVERSIBLE COMPACTOR

MVH-508DSZ

Serial number : Z-1001 ~

PARTS REMARK INDEX

How to read the marks and remarks used in this parts book.

Section 1 : Explanation of Code Use In “MRK” Column

OO : Interchangeable between the new part and the old one.

XX : Not Interchangeable between new and old.

OX : New part is usable for the old machine but the old part is not usable for the new machine.

XO : The old part is usable for the new machine but the new part is not usable for the old machine.

Note : In case of the lack of interchangeability between the new part and old part, a new part may be used by replacing all other parts found in the assembly. In this case, refer to section 2 for instruction on identifying other parts involved in a new assembly.

AD : Newly established(added)

DC : Suspended(discontinued)

NC : Part number changed

QC : Quantity used has been changed

NS : Not supplied individually but supplied in an assembly or a group.

AS : Special part designed to allow interchangeability between new and old part.

CR : Correction

Section 2 : Items Found In “Remark” Column

Serial Numbers - Where indicated, this indicates a serial number range (inclusive) where a particular part is used.

Model Number - Where indicated, this shows that the corresponding part is utilized only with this specific model number or model number variant.

or * : All parts with the same number following # or * belong to the same assembly. this part cannot be interchanged individually with any other assemblies to replace an old part (indicated by #), with a new part(indicated by *), then all other parts of that assembly must be replaced with new ones.

Note : If more than one of the same reference number is listed, the last one listed indicates newest(or latest)part available.

Section 3: Example

REF NO.	PART NO.	PART NAME	QTY	MRK	REMARKS
457(1)	5122-09230	Hinge Metal, Upper/24g	1		-1070 #3 (5)
457(2)	5072-09420	Hinge Metal, Upper M16	1	OX(3)	U1071-(6) * 3(7)

(1) Old part

(2) New part

(3) New part usable with old machine, but old part not usable with new machine (reference section 1).

(4) Old part number is used through this machine serial number.

(5) Old part, used in an assembly with other parts marked with #3. To use this part on a new machine, all other parts in this assembly must be replaced with old ones.

(6) New part put into use starting with this serial number and is still current.

(7) New part used in an assembly with other parts marked * 3, to use this part as a replacement for an old part, all other * 3 marked parts must be changed at the same time.

Section 4: Items Found In “MK2” Column

(only for suspended products)

! OO (“OO” is shown in figure) : The part shown in lower line is supplied.

! SD : Not available due to termination of production.

! NS : Not supplied individually, but supplied in an assembly or a group.

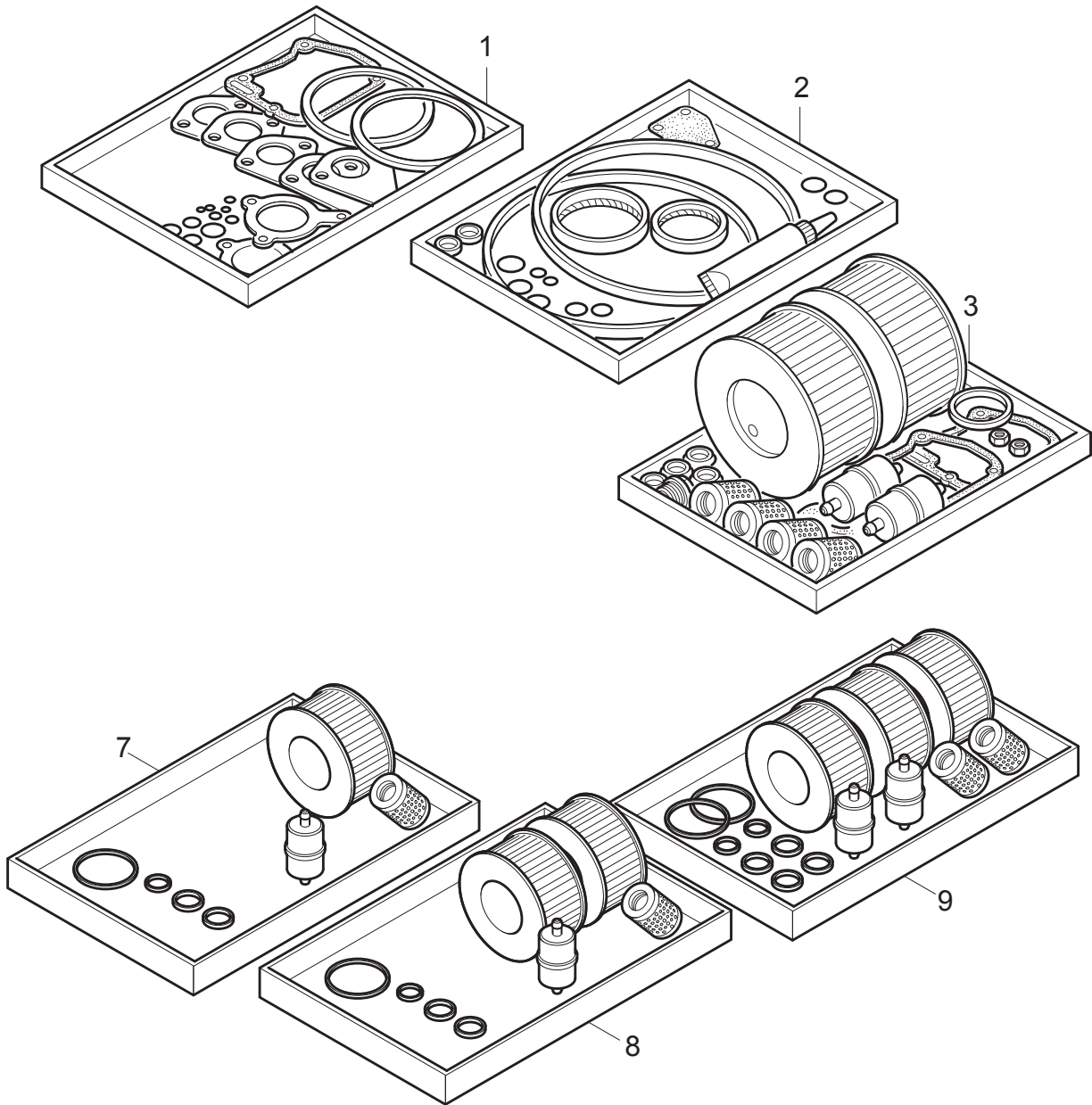
! PD : Supplied as unit product.

SS : Not available after stock run out.

(The contents of this parts catalog are subject to change without notice.)

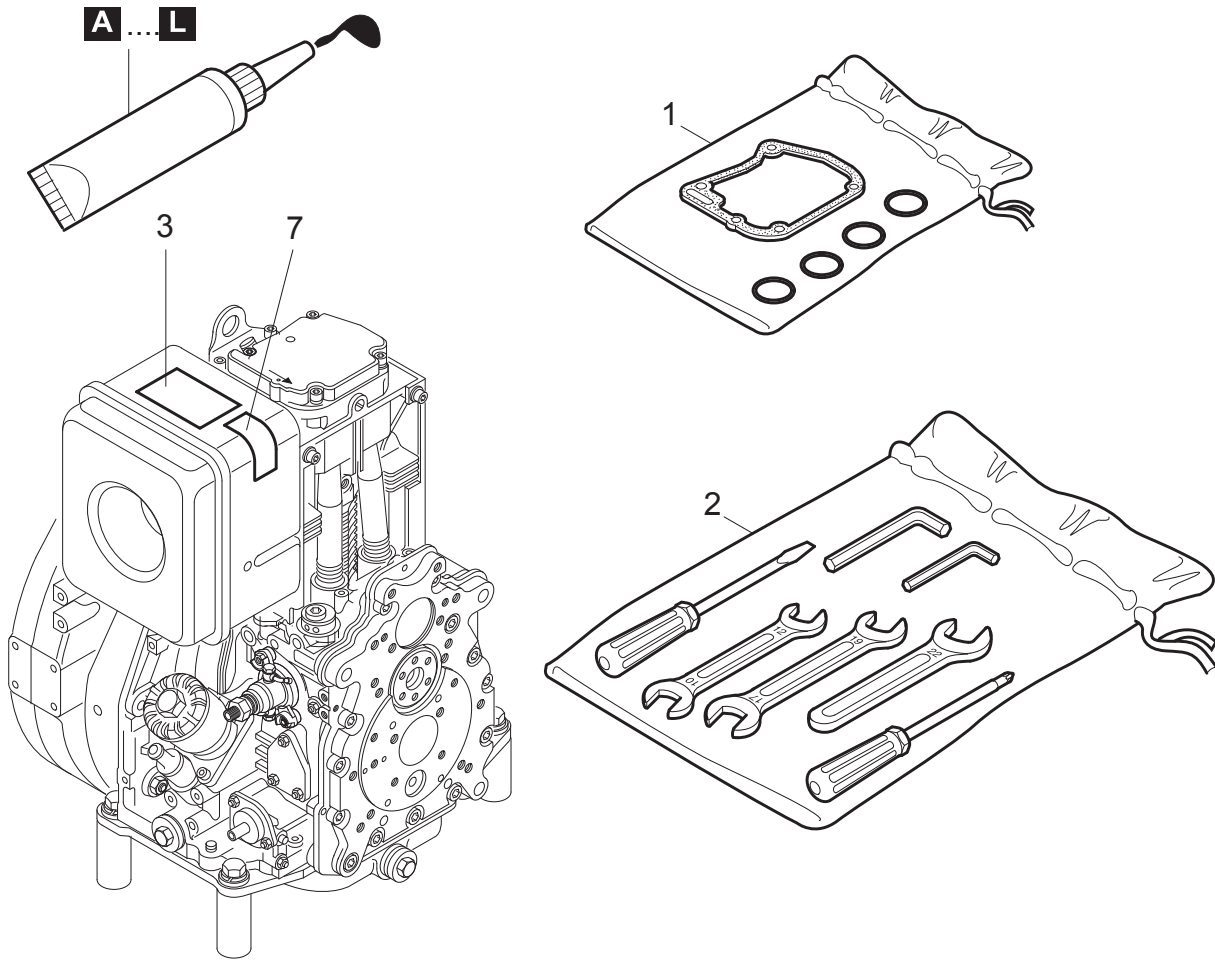
1D81S-325
M00 SPARE PARTS KITS

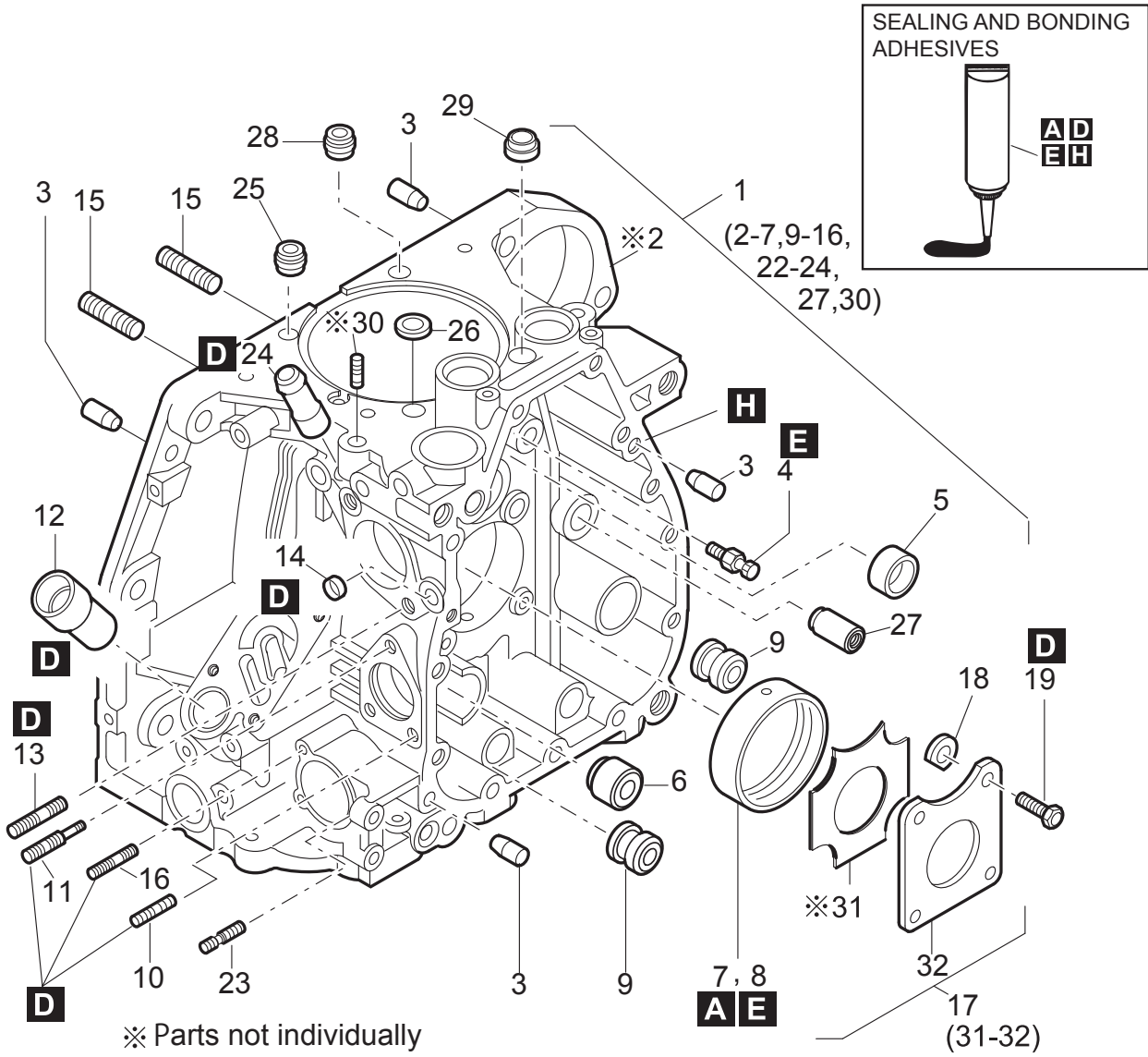
BTV0

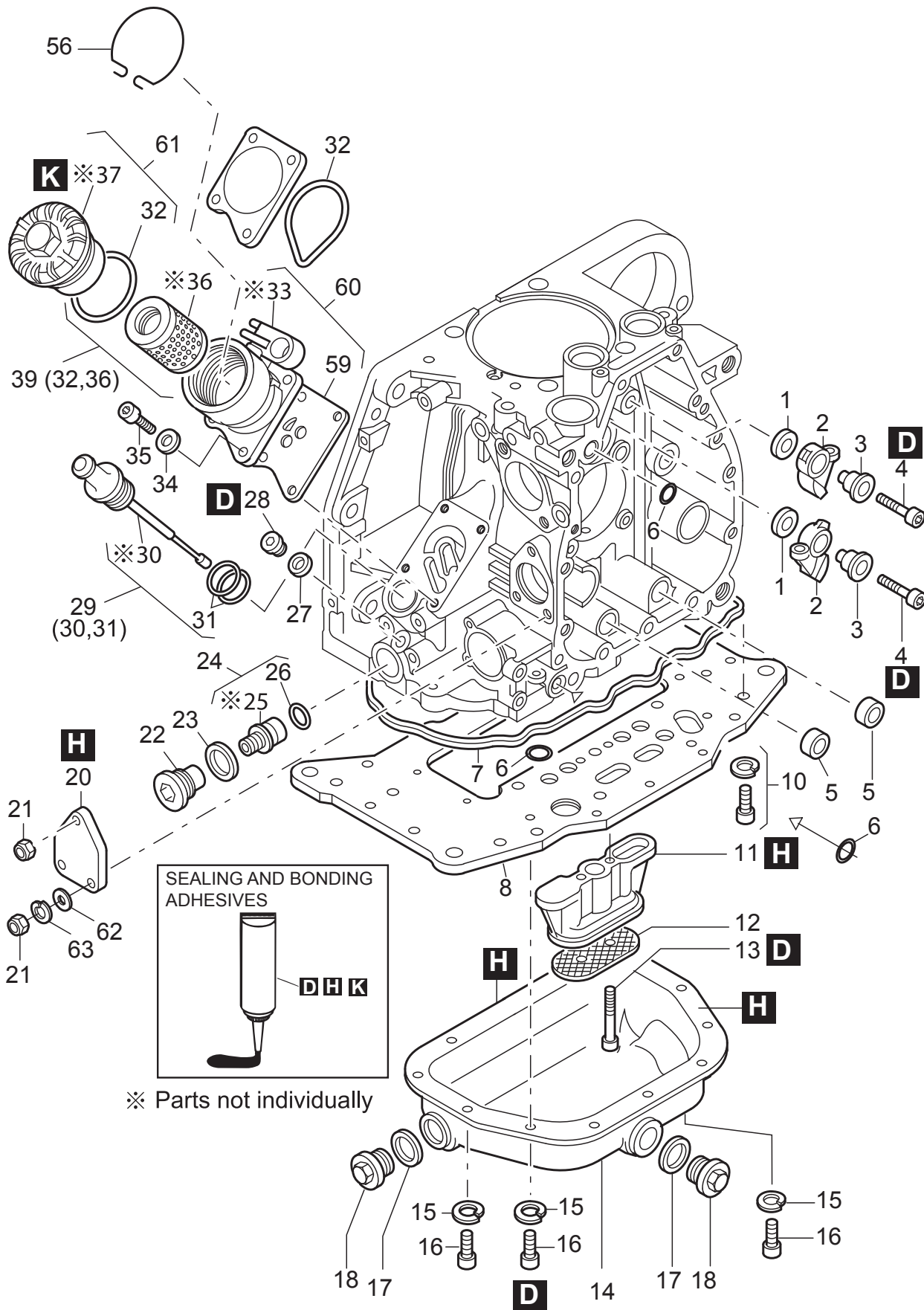


1D81S-325
M34 ACCESSORIES

BTW0



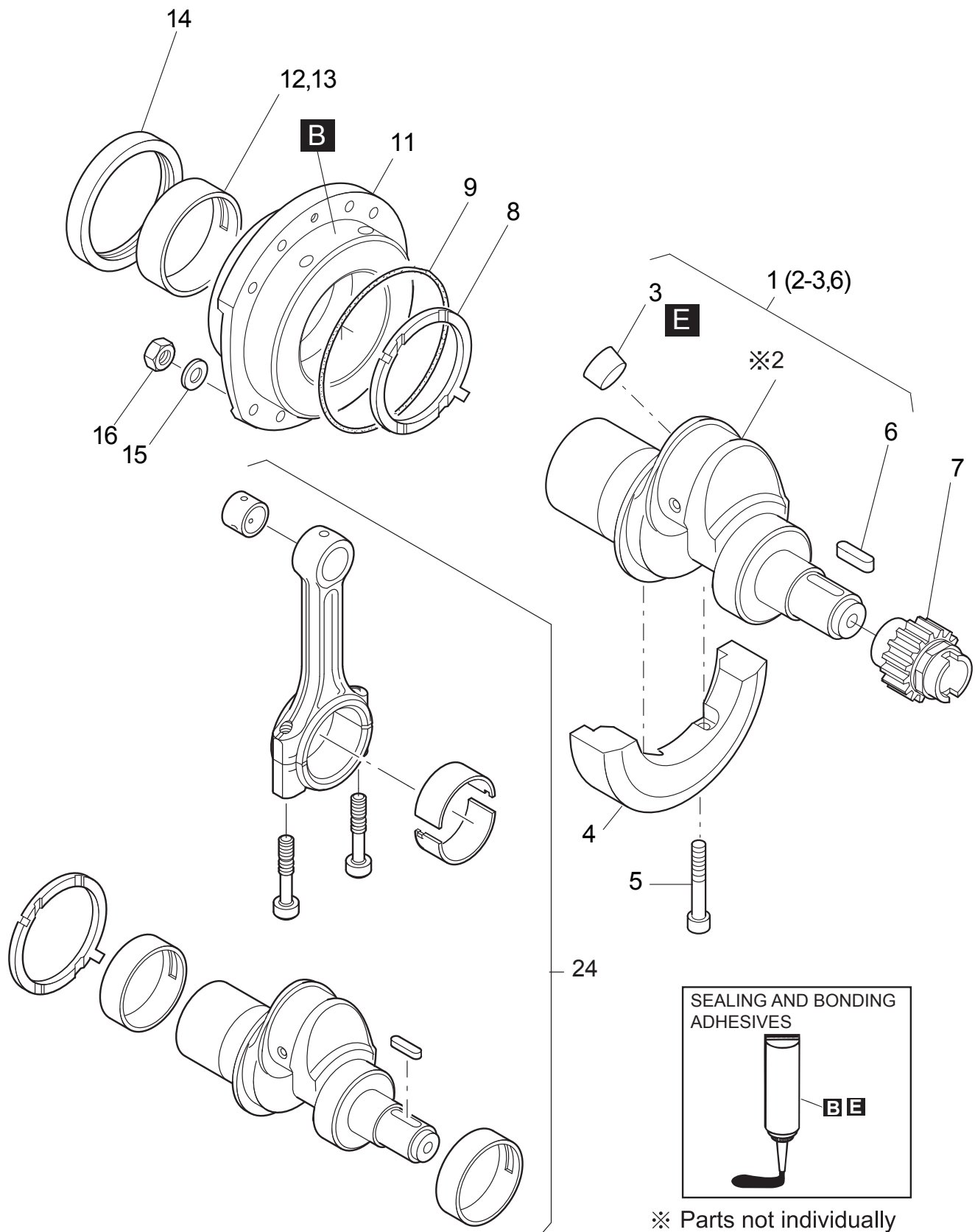




M01b CRANKCASE 2

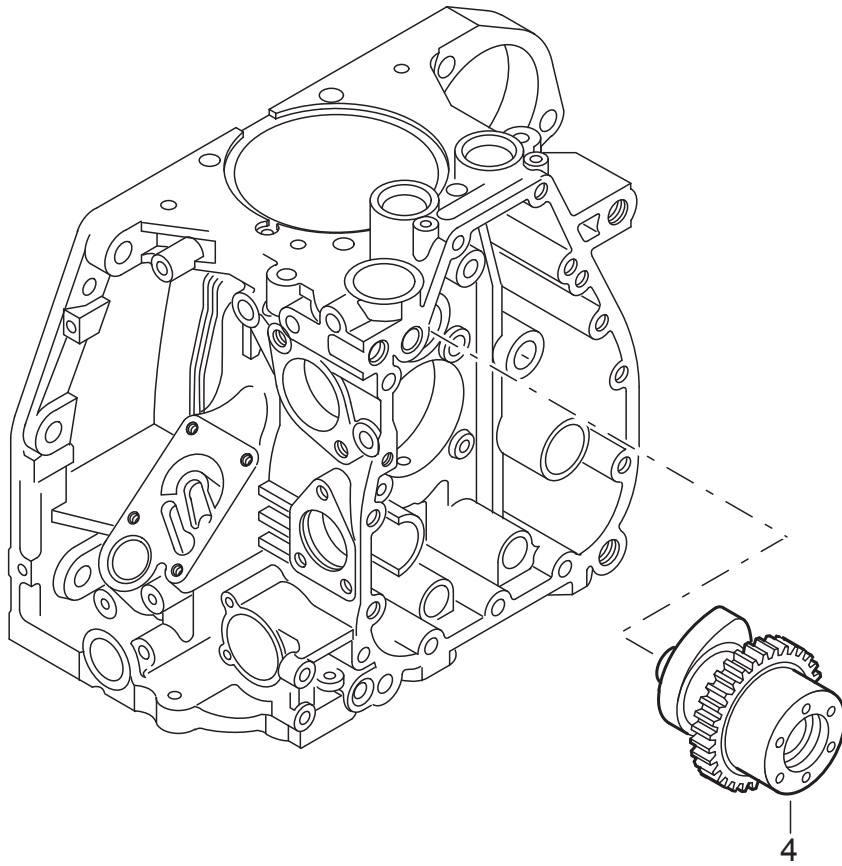
** BTY **

REF NO.	PART NO.	PART NAME	Q' TY	MRK	MK2	REMARKS
D	70018918	LOCTITE 221	1			
H	70018944	TEROSON TEROSTAT 63	1			
K	50342601	HOCHTEMP. FETT 400G	1			
1	03794100	WASHER	2			
2	03794300	CAMFOLLOWER/1D81	2			
3	03794201	CAM FOLLOW SPINDLE	2			
4	50545501	ALLEN SCREW M6 X 30	2			
5	03795800	O-RING 12 X 18.3 X 7.3	2			
6	DH5-03290-00	O-RING 9.5 X 2.5	3			
7	DH0-37951-00	O-RING 265 X 269 X 3.6	1			
8	01248810	PLATE/1D81	1			
10	50417600	ALLEN SCREW M8X25 Z4/1D81	22			
11	03794900	HOUSING/1D81	1			
12	DH0-37950-00	SUCTION SREVE	1			
13	50327100	ALLEN SCREW M6 X 50	2			
14	01241700	OIL SUMP/1D81	1			
15	50170900	SPRING WASHER 6	12			
16	50329100	ALLEN SCREW M6 X 10	12			
17	DH5-00016-00	GASKET, /1D81	2			
18	DH5-01404-00	PLUG	2			
20	03794701	COVER/1D81	1			
21	50328300	HEXAGON NUT VM6	3			
22	01321200	CLOS, SCREW +SIEVE	1			
23	50286400	JOINT A24X29	1			
24	01321100	OIL RELIEF VALVE/1D81	1			
26	50460400	O-RING 18X2	1			
29	01241500	OIL GAUGE CP	1			
31	50359700	O-RING 22.29 X 2.62	2			
32	DH5-03292-00	RECTANG RING 50X55X3	2			
34	50081200	SPRING WASHER A 6 / 1B40	4			
35	50170600	ALLEN SCREW M6 X 20 /1D81	4			
39	01480001	OIL FILTERELEMENT ID	1			
56	04084001	LIFTING SPRING/1D81	1			
59	05068900	GASKET/1D81	1			
60	01318300	LUB, OIL, FILT, HOUSG/1D81	1			
61	01248901	COVER F, OILFILTER/1D81	1			
62	50144500	FLAT WASHER 6, 4	2			
63	50170900	SPRING WASHER 6	2			



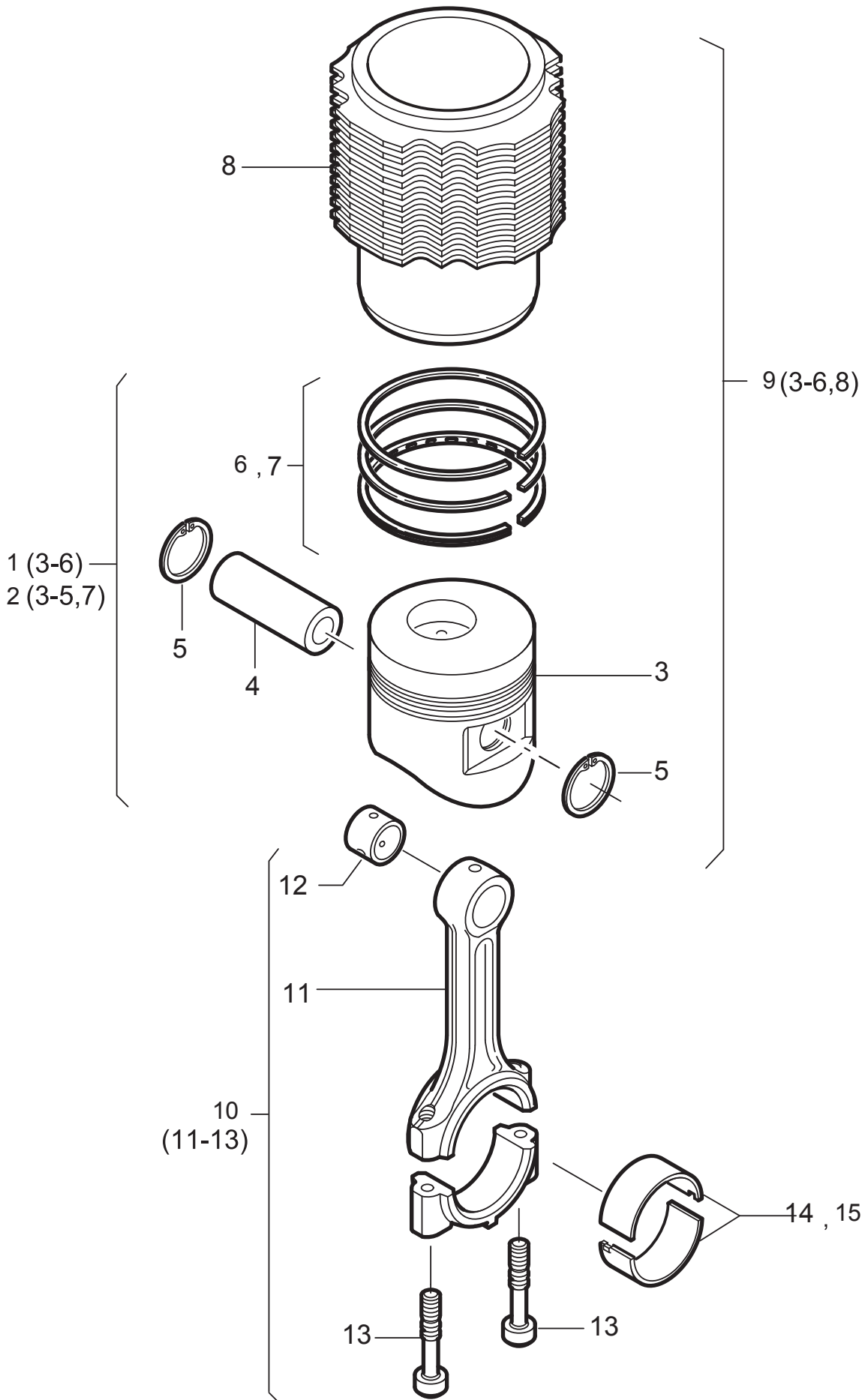
1D81S-325
M04 CAMSHAFT

BUA0



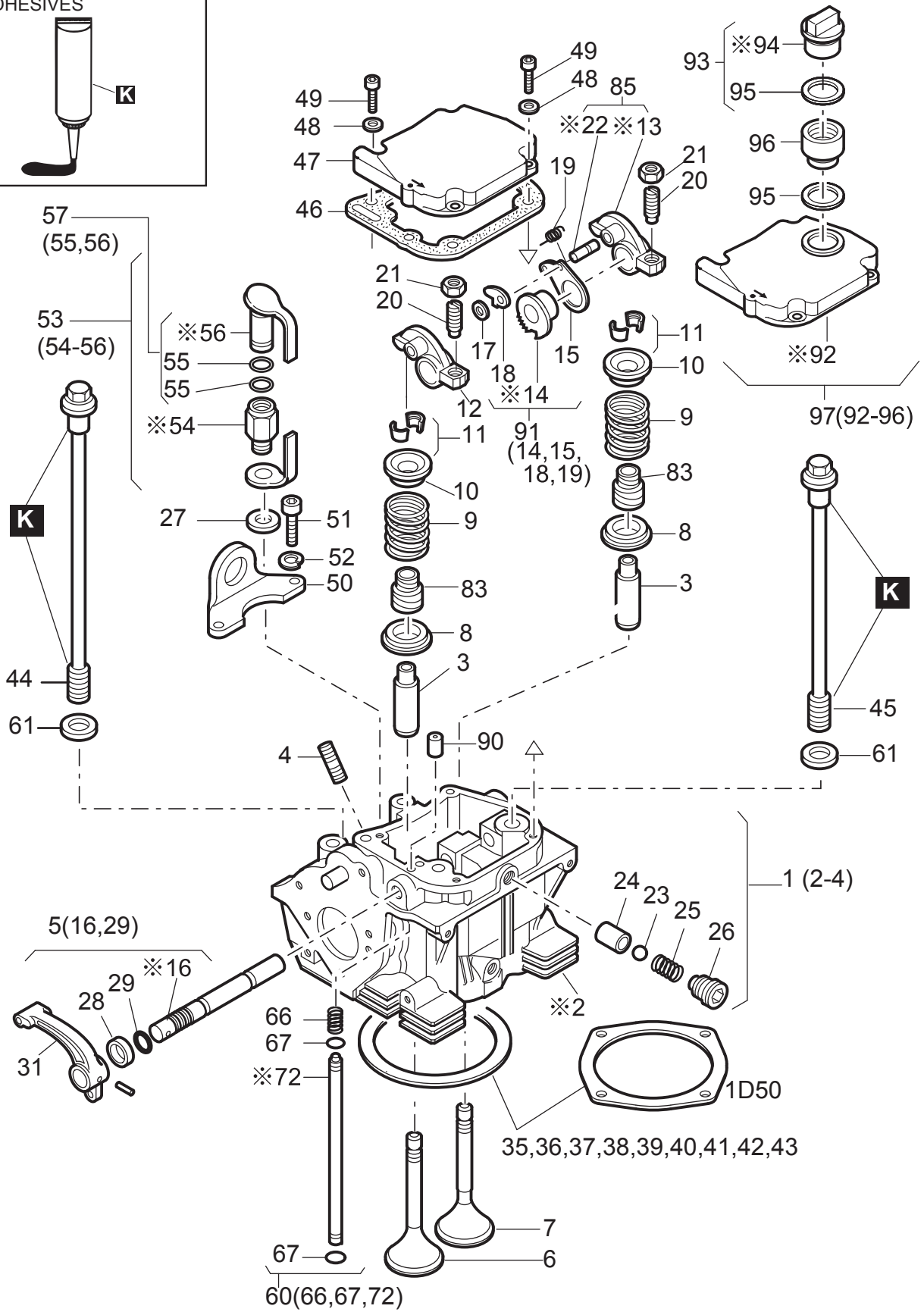
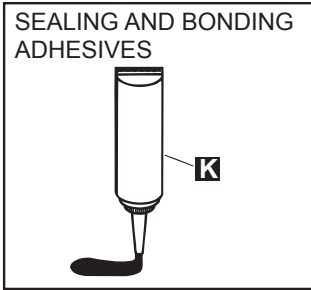
1D81S-325
M05a PISTON

BUB0



1D81S-325
M07 CYLINDER HEAD

BUC0



※ Parts not individually

M07 CYLINDER HEAD

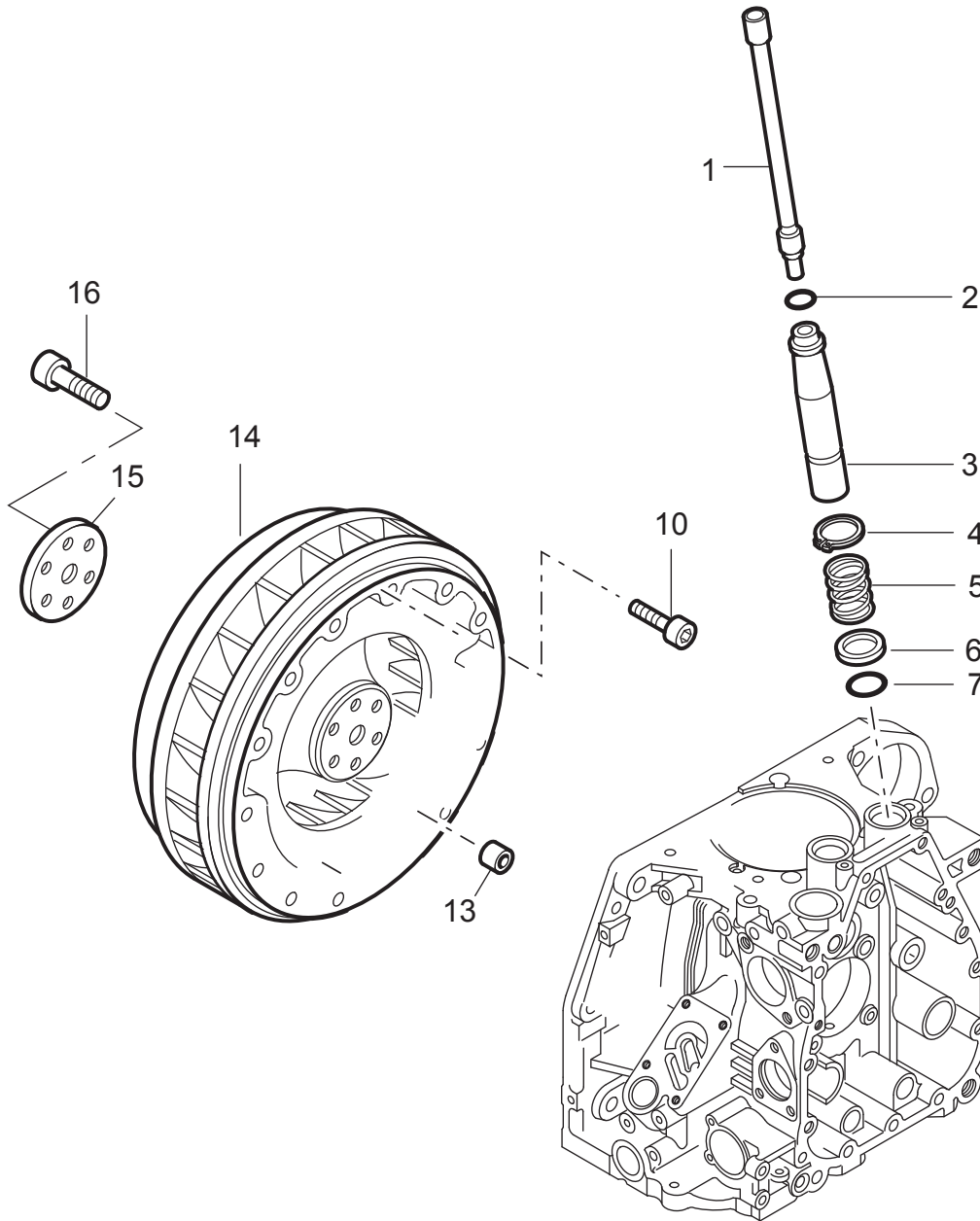
** BUC **

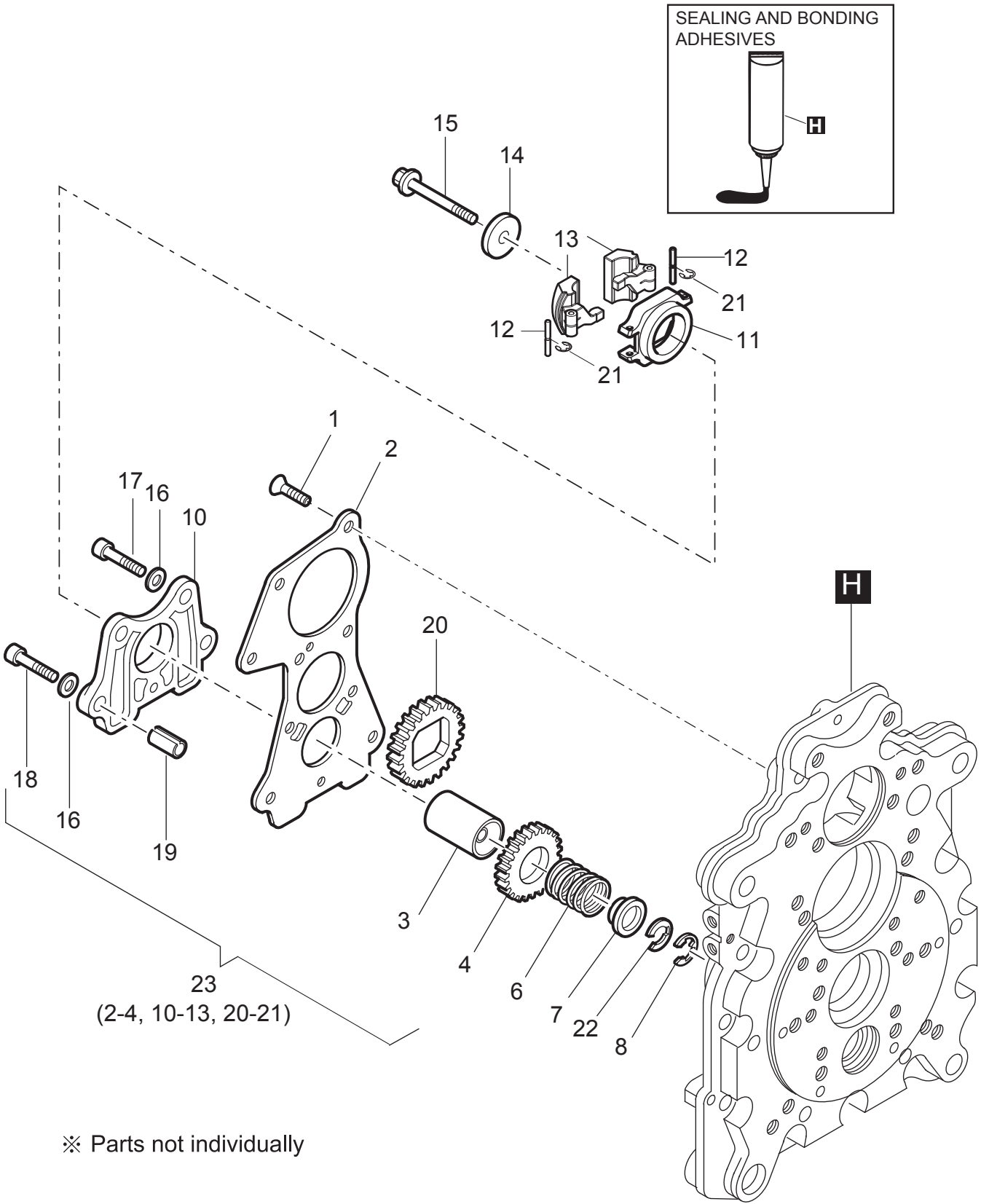
REF NO.	PART NO.	PART NAME	Q' TY	MRK	MK2	REMARKS
K	50342601	HOCHTEMP. FETT 400G	1			
1	01499620	CYL, HEAD 1D81 EPA	1			
3	04008712	VALVE GUIDE/1D81	2			
4	50038400	STUD M8X35/1D81	1			
5	01468920	SHAFT, ROCKER 60/81	1			
6	04091001	INTAKE VALVE/1D81	1			
7	04091100	EXHAUST VALVE/1D81	1			
8	04005201	WASHER/1D81	2			
9	04005300	VALVE SPRING/1D81	2			
10	04005401	CUP /1D81	2			
11	02252200	COLLET/1D81	2			
12	04003710	ROCKER INLET/1D81	1			
15	03778401	SPRING SHEET/1D81	1			
17	50117200	CIRCLIP/1D81	1			
18	03365710	RATCHET F, DECOMPR/1D81	1			
19	DH0-33660-01	SPRING	1			
20	03783000	ADJUSTING SCREW/1D81	2			
21	03173100	HEXAGON NUT/1D81	2			
23	50123800	BALL 7MM G100/1D81	1			
24	04004700	BUSH/1D81	1			
25	04004800	PRESSURE SPRING/1D81	1			
26	01245200	ADJUSTING SCREW/1D81	1			
27	50001100	JOINT A12X15.5/1D81	1			
28	04048900	RUBBER, RING/1D81	1			
29	40022401	O-RING 8 X 2 GRAY/1B40	1			
30	DH5-00347-00	PIN 4X22	1			
31	DH0-40098-10	HANDLE	1			
35	04068800	GASK. F. CYL. HEAD 0.5/1D81	1			0.5MM
35	04240900	GASK. CYL. HEAD 0.55/1D81	1			0.55MM
36	04036800	GASK. F. CYL. HEAD 0.6/1D81	1			0.6MM
36	04241000	GASK. F. CYL. HEAD 0.65/1D81	1			0.65MM
37	04036500	GASK. F. CYLHEAD 0.7MM/1D81	1			0.7MM
37	04241100	GASK. F. CYL. HEAD 0.75/1D81	1			0.75MM
38	04036600	GASK. F. CYL. HEAD 0.8/1D81	1			0.8MM
38	04241200	GASK. F. HEAD 0.85/1D81	1			0.85MM
39	04002700	GASK. F. CYL. HEAD 0.9/1D81	1			0.9MM
39	04241300	GASK. F. CYL. HEAD 0.95/1D81	1			0.95MM
40	04002800	GASK. F. CYLHEAD 1.0/1D81	1			1.0MM
40	04241400	GASK. F. CYL. HEAD 1.05/1D81	1			1.05MM
41	04002900	GASK. F. CYL. HEAD 1.1/1D81	1			1.1MM
41	04241500	GASK. F. CYL. HEAD 1.15/1D81	1			1.15MM
42	04003000	GASK. F. HEAD 1.2/1D81	1			1.2MM
42	04241600	GASK. F. CYL. HEAD 1.25/1D81	1			1.25MM
43	04003100	GASK. F. CYL. HEAD 1.3/1D81	1			1.3MM
44	04003200	CYL. HEAD SCREW 305MM/1D81	2			
45	04003300	CYL. HEAD SCREW 258MM	2			
46	04006111	GASKET, ROCKER COVER	1			
47	01245414	COVER CYL. HEAD/1D81	1			
48	50081200	SPRING WASHER A 6 / 1B40	4			
49	50170800	ALLEN SCREW M6 X 25 /1D81	4			
50	04008100	LIFTING BRACKET/1D81	1			
51	50366300	ALLEN SCREW M8 X 20	2			
52	50208500	SPRING WASHER 8	2			
53	DH0-14932-00	PLUG FILTER/1D81	1			
55	50326200	O-RING 11.3X2.4	2			
57	01308301	CLOSG. PLUG "S" 46MM/1D81	1			
60	01269700	OIL PRESSURE PIPE/1D81	1			
61	03457500	DISC F. STUD/1D81	4			
66	04004200	PRESSURE SPRING/1D81	1			
67	50330100	O-RING 4 X 1, 2	2			
83	50634900	VALVE STEM SEAL CAP/1D81	2			
85	01285010	ROCKER EXHAUST/1D81	1			
90	04104300	PIN /1D81	1			
91	DH0-15576-00	GEAR HOLEEL, F, DECOMPR	1			
93	01613100	CAP SCREW COMPLETE /1D81	1			
95	04125000	SEALING RING, DIPSTICK	1			
96	03658400	INTERMEDIATE PIECE/1D81	2			
97	01620000	CYL. HD. COV. OIL FILL	1			

1D81S-325

BUD0

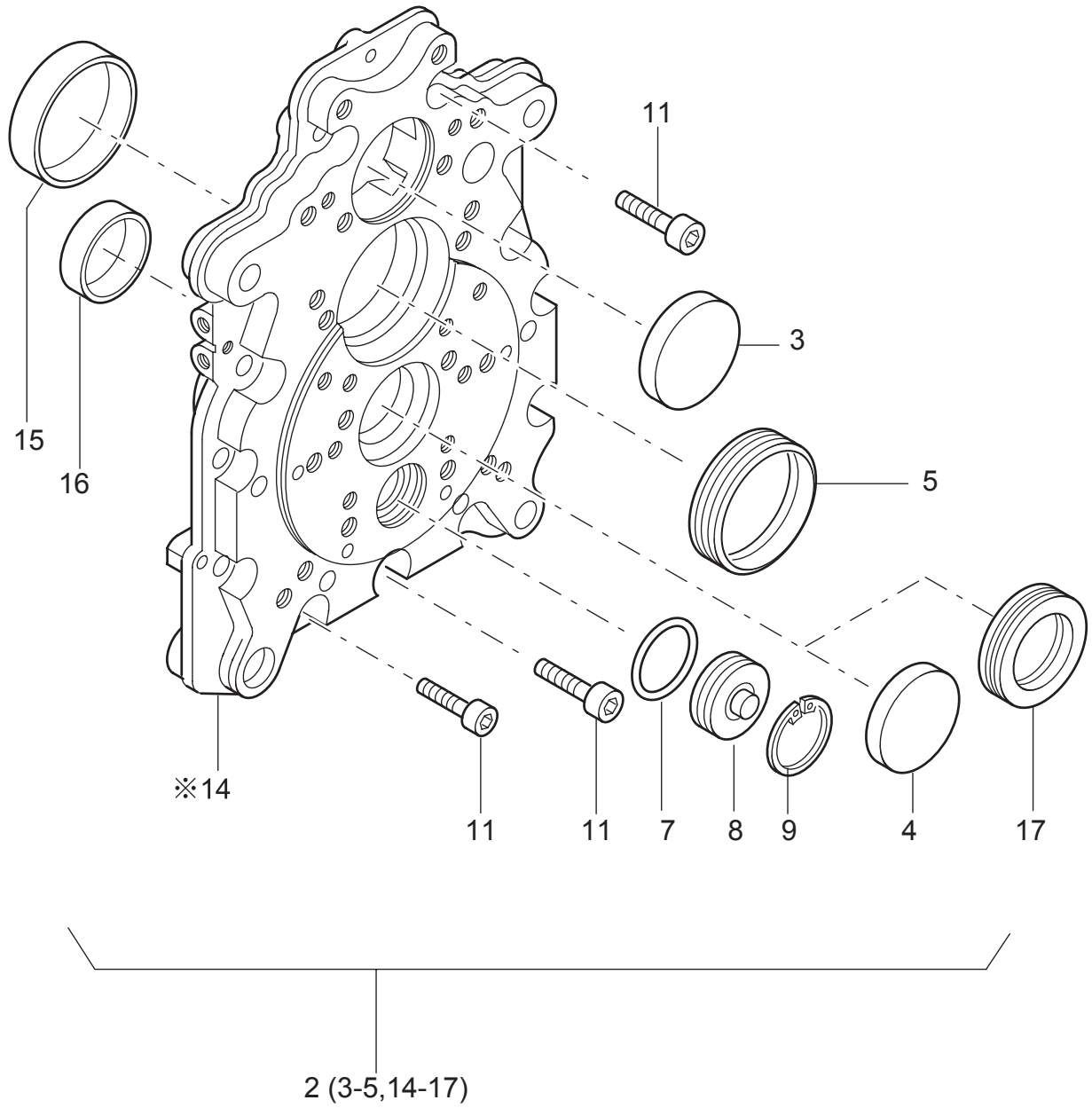
M09 PUSHROD, FLYWHEEL





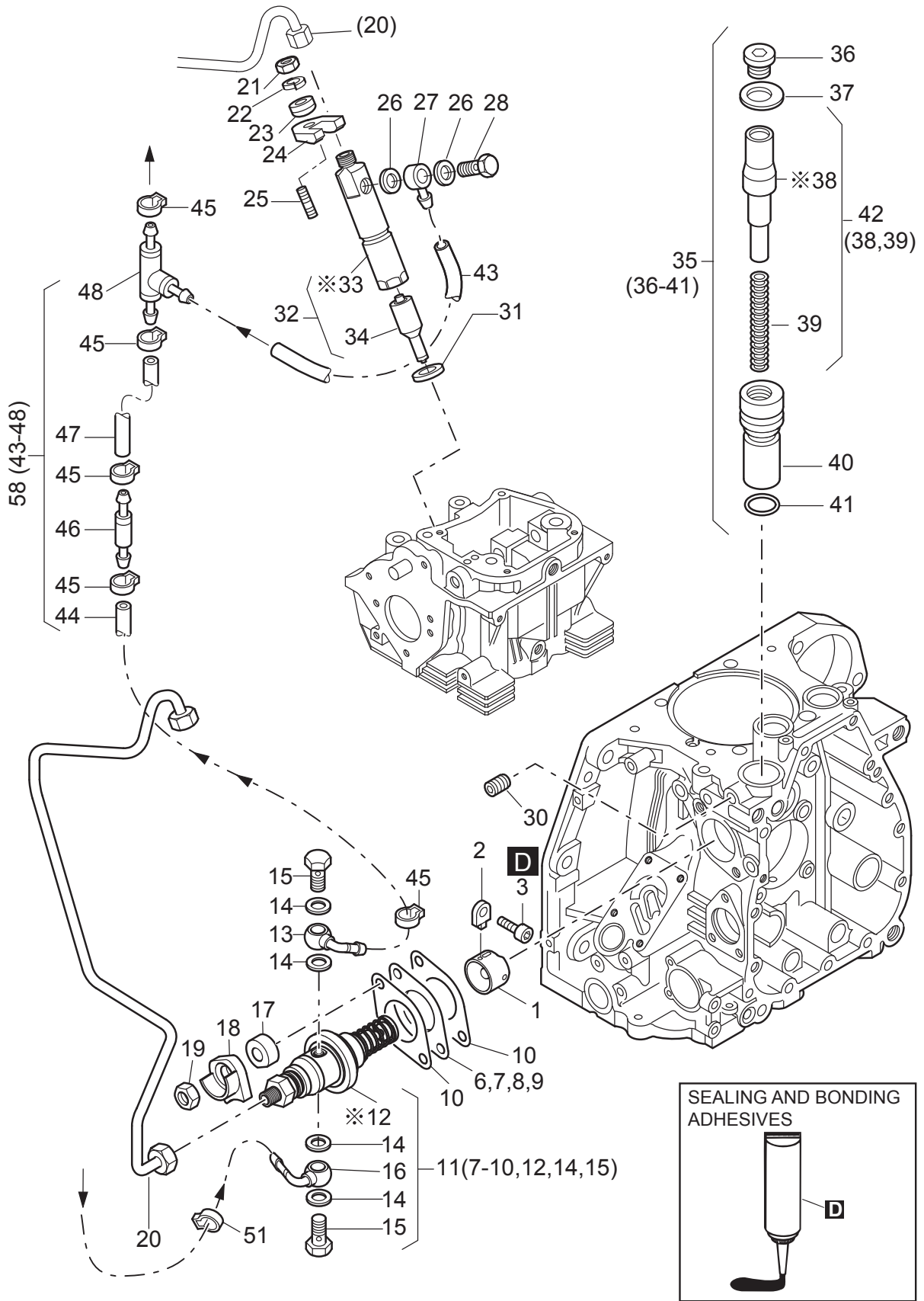
1D81S-325
M11 TIMING COVER

BUF0



1D81S-325
M12 FUEL PUMP

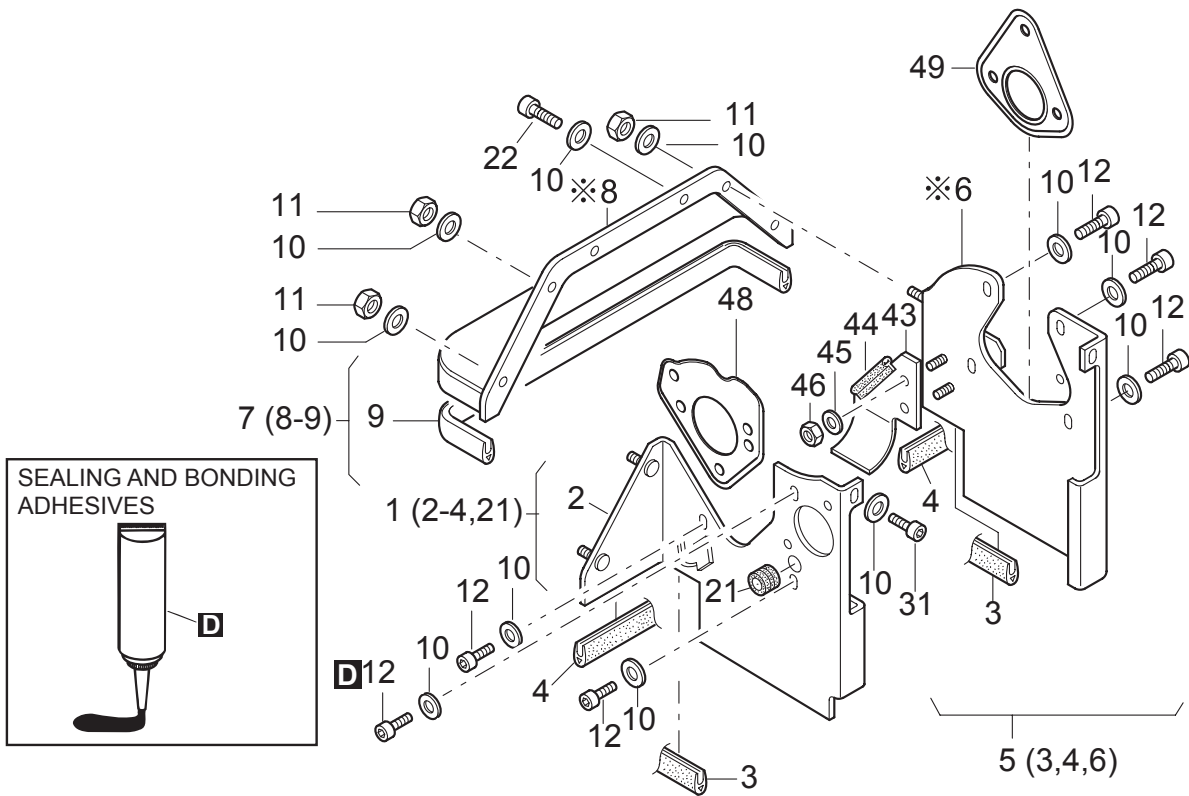
BUG0



M12 FUEL PUMP

** BUG **

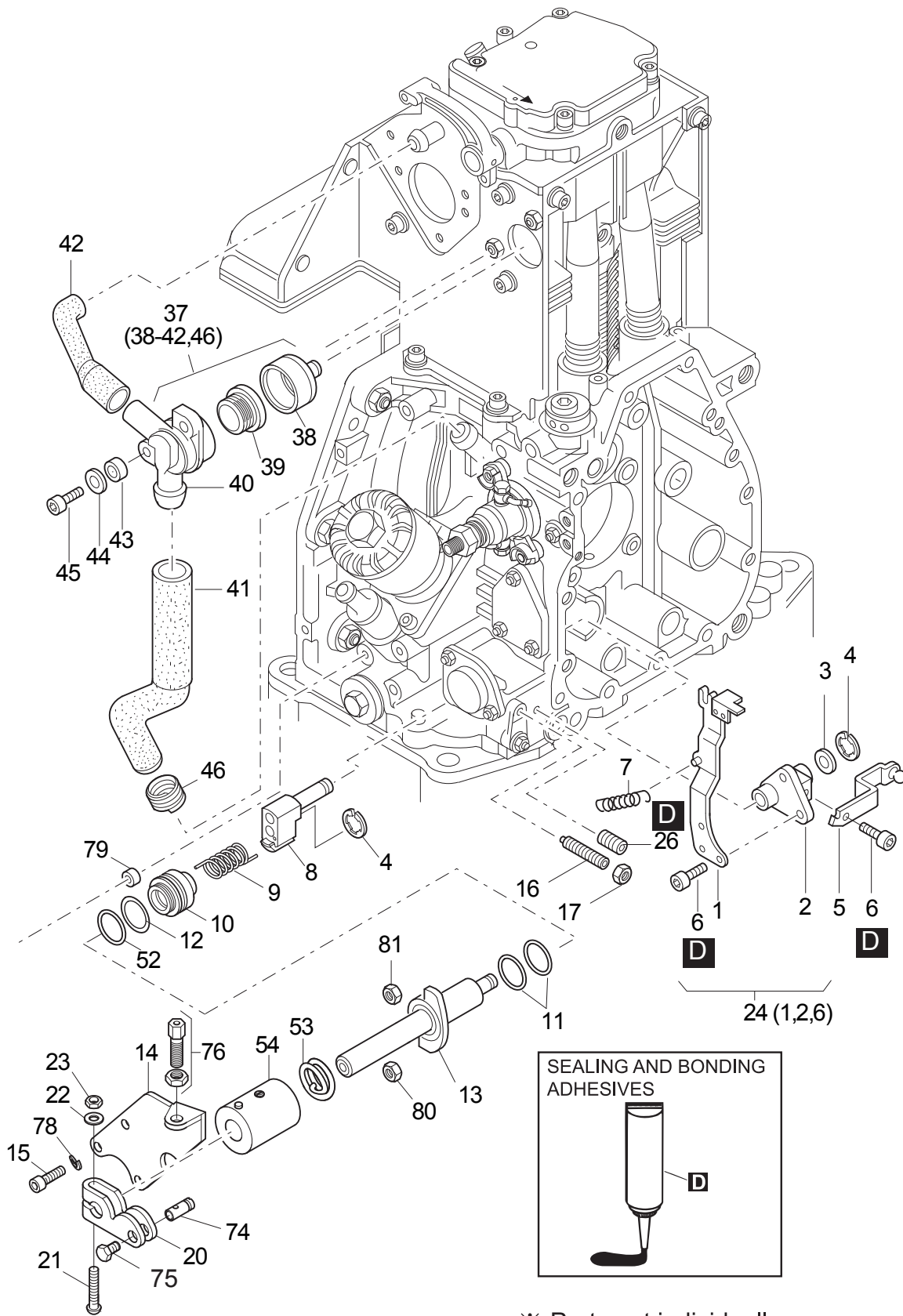
REF NO.	PART NO.	PART NAME	Q' TY	MRK	MK2	REMARKS
D	70018918	LOCTITE 221	1			
1	50492900	ROLLER TAPPET/1D81	1			
2	04169200	GUIDE/1D81	1			
3	50050700	ALLEN SCREW M6 X 16	1			
6	DH0-32097-00	SHIM 0.30/1D81	1			SELECT 0-1
7	DH0-41024-00	SHIM 0.60/1D81	1			SELECT 0-1
8	DH0-41025-00	SHIM 0.90/1D81	1			SELECT 0-1
9	04102600	SHIM 1.20	1			SELECT 0-1
10	DH0-40713-00	GASKET 0.10	1			SELECT 0-2
10	DH0-41022-00	GASKET 0.20/1D81	1			SELECT 0-2
10	DH0-41023-00	GASKET 0.30/1D81	1			SELECT 0-2
11	01864502	INJECTION PUMP 1D81 EPA2	1			
13	05299701	BANJO CONNECTION	1			
14	50586300	PACKING RING/1D81	4			
15	50577801	BANJO BOLT M8X1	2			
16	05299701	BANJO CONNECTION	2			
17	04239300	SPACER/1D81	2			
18	04239100	CLAMP, INJECTION PUMP/1D81	2			
19	04244300	HEXAGON NUT M8/R11	2			
20	01313620	FUEL PRESSURE PIPE EPA2	1			
21	50148000	HEXAGON NUT M8	1			
22	50208500	SPRING WASHER 8	1			
23	04035700	WASHER/1D81	1			
24	03792401	FLANGE/1D81	1			
25	50038400	STUD M8X35/1D81	1			
26	50000800	JOINT A6.5X9.5/1D81	2			
27	50333400	BANJO CONNECTION/1D81	1			
28	50313000	BANJO BOLT M6/1D81	1			
30	50004600	GRUB SCREW M8X16/1D81	1			
31	04185200	JOINT WASHER /1D81	1			
32	50567310	INJECTOR/1D81	1			
34	50567410	INJECTOR NOZZLE D81 EPA4	1			
35	01498902	PIST+CYL. EXTR. FUEL/1D81	1			
36	50330800	CLOSS SCREW M16X1.5/1D81	1			
37	04001600	DISC/1D81	1			
39	05035200	PRESSURE SPRING/1D81	1			
40	04001410	CYL. F. EXTR. FUEL DEV/1D81	1			
41	50328900	O-RING 22X1.6/1D81	1			
42	01519500	PIST+SPRG. EXT. FUEL/1D81	1			
43	03962110	FUEL HOSE 3.5X160/1D81	1			
44	05310200	FUEL PIPE 4, 5 X 135	1			
45	50570900	CLAMP 12, 8	5			
46	00805502	VENT VALVE	1			
47	05310100	FUEL PIPE 4.5X170/1D81	1			
48	03989601	HOSE NIPPLE T/1D81	1			
51	50590000	CLAMP 12, 0	1			
58	01189910	FUEL PIPE	1			



※ Parts not individually

1D81S-325
M31 SPEED CONTROL

BUI0



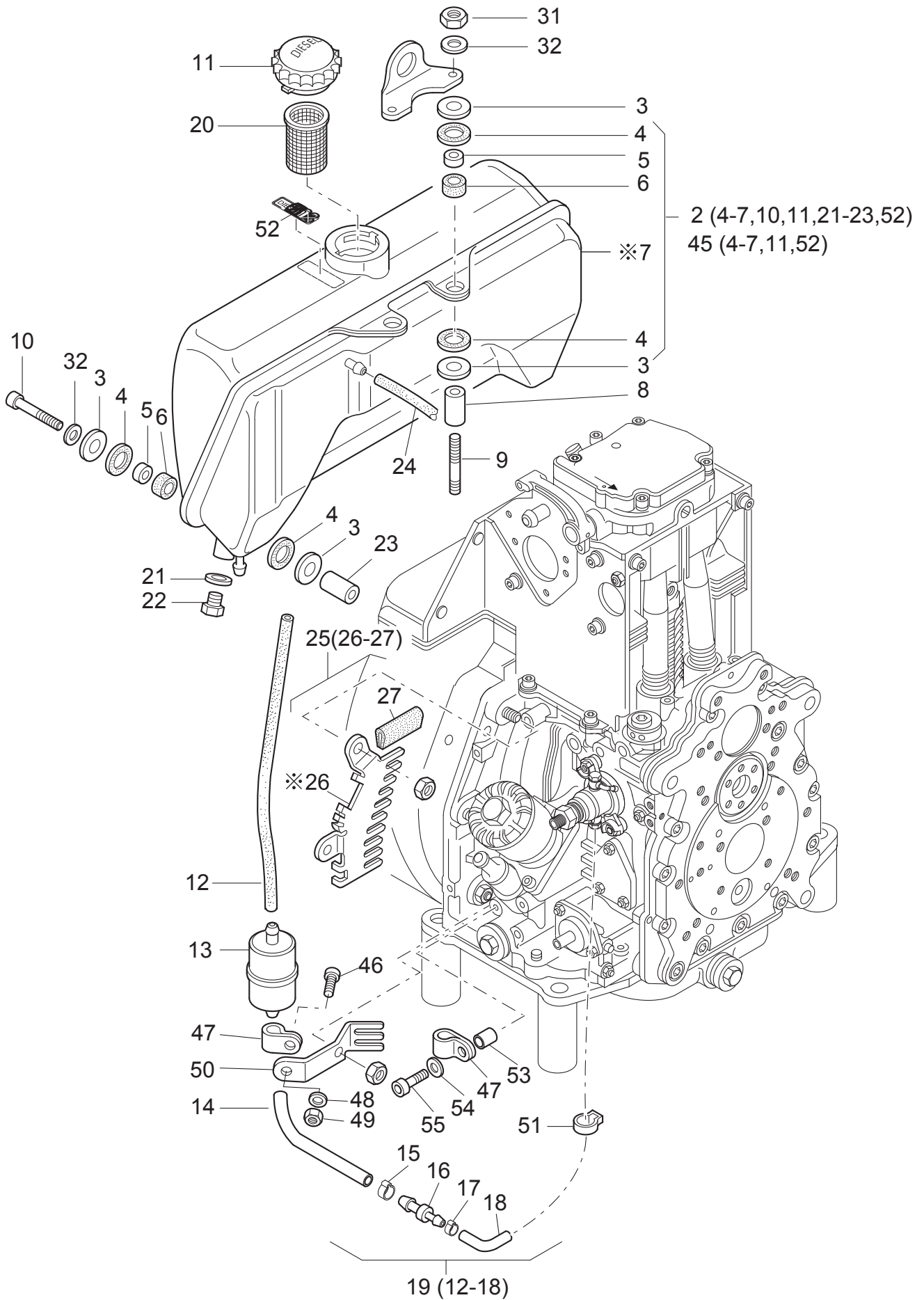
M31 SPEED CONTROL

** BUI **

REF NO.	PART NO.	PART NAME	Q' TY	MRK	MK2	REMARKS
D	70018918	LOCTITE 221	1			
3	04000100	SHIM/1D81	1			
4	50266100	CIRCLIP 6 /1D81	2			
5	04037500	LEVER/1D81	1			
6	50328701	ALLEN SCREW M5 X 8 /1D81	4			
7	04000200	TENSION SPRING / 1B50	1			
8	01242811	GUIDE/1D81	1			
9	03799010	THIGH SPRING/1D81	1			
10	04052710	SPACER RING/1D81	1			
11	50412900	O-RING 18 X 2 /1D81	2			
12	50129900	O-RING 32X37X2.5/1D81	1			
13	01279222	STOP RNG. SPD. CONT. S/1D81	1			
14	03975602	CONSOLE / 1D81S	1			
15	50170600	ALLEN SCREW M6 X 20 /1D81	3			
16	50507801	GRUB SCREW M6X45	2			
17	50144400	HEXAGON NUT M6	2			
20	03975801	LEVER/1D81S	1			
21	03927301	CHEESE-HEAD BOLT M6 X 32	1			
22	50144500	FLAT WASHER 6, 4	1			
23	50346500	HEXAGON NUT M6	1			
24	01246803	SPEED CONTROL CP/1D81	1			
26	50403500	GRUB SCREW M8 X 20 /1D81	1			
37	01317000	VALVE, BREATHER/1D81	1			
38	04080300	BREATHER CUP/1D81	1			
39	03568700	DIAPHRAGM/1D81	1			
41	04074700	BREATHER HOSE/1D81	1			
42	04074800	BREATHER HOSE/1D81	1			
43	04080500	BUSH /1D81	2			
44	50081200	SPRING WASHER A 6 / 1B40	2			
45	50170700	ALLEN SCREW M6 X 16	2			
46	04090500	CLAMP 18MM/1D81	1			
52	50453600	SUPPORTING DISC SS/1D81	1			
53	05046800	THIGH SPRING/1D81S	1			
54	01494101	COUPLING SHELL/1D81S	1			
74	50642000	CABLE CLAMPING 3, OMM	1			
75	0012-20610	BOLT 6X10 T	1			
76	50374400	ADJUSTING SCREW /1D81S	1			
78	50170900	SPRING WASHER 6	3			
79	04021000	BUSH 6, 3 X 12 X 5 /1D81S	3			
80	05179300	HEXAGON NUT M6/1D81S	1			
81	50328300	HEXAGON NUT VM6	2			

1D81S-325
Z01a FUEL TANK

BUJ0



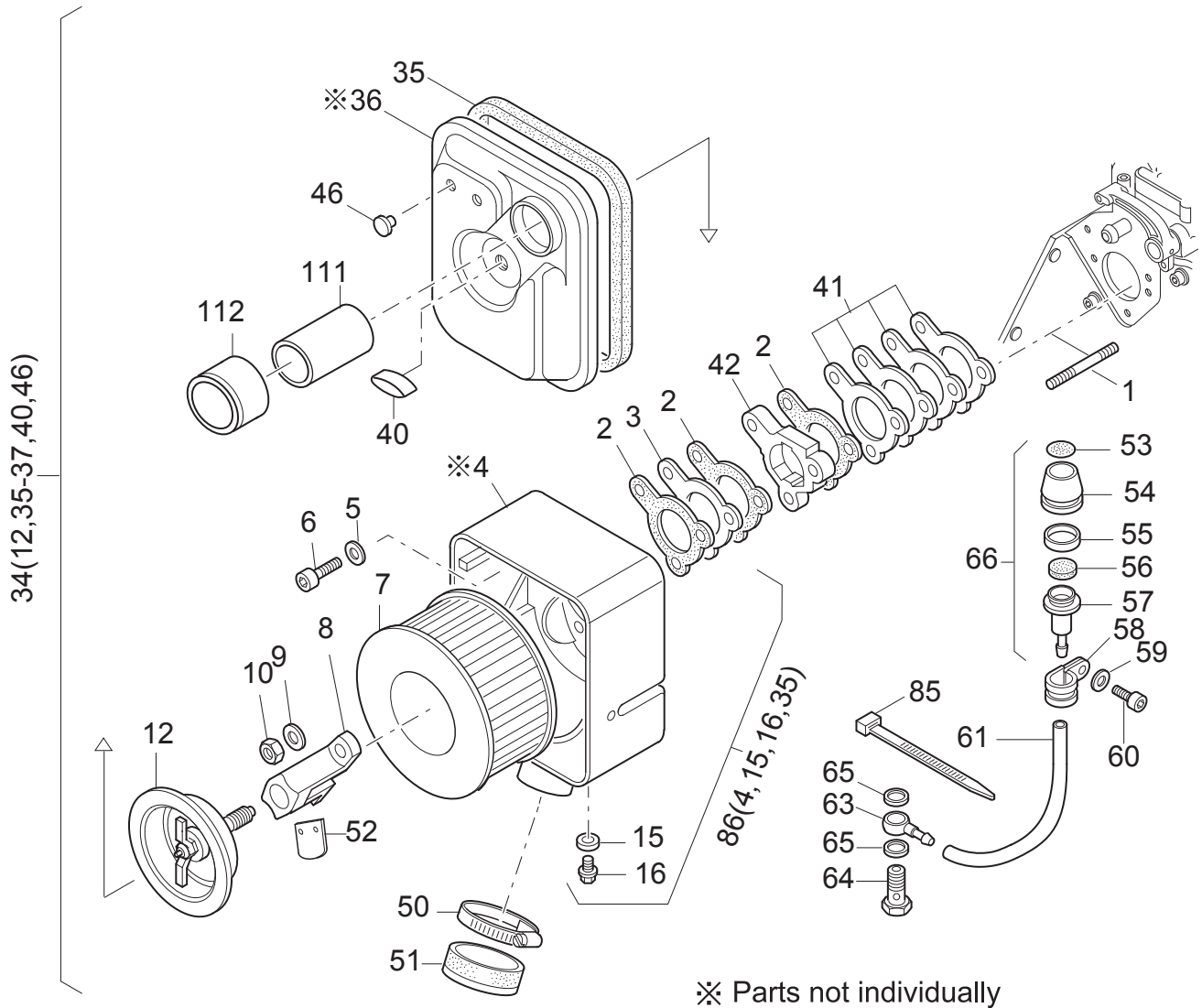
Z01a FUEL TANK

** BUJ **

REF NO.	PART NO.	PART NAME	Q' TY	MRK	MK2	REMARKS
2	DH0-14942-00	FUEL TANK 7L	1			
3	05097600	WASHER	12			
4	03981802	RUBBER WASHER/1D81	12			
5	03981701	BUSH 8. 4X13X7. 5/1D81	6			
6	03981900	RUBBER SHELL/1D81	4			
8	03989800	BUSH 8. 5X20X49/1D81	2			
9	50377001	STUD M8X75/1D81	2			
10	50177500	ALLEN SCREW M8 X 40 /1B40	4			
11	50385801	FUEL, TANK CAP/1D60-81	1			
12	05323600	FUEL HOSE 7X220	1			
13	50478800	FUEL FILTER 7MY	1			FILT. >-6°C
13	DH4-00894-01	FUEL STRAINER(-6C/21F)	1			FILT. <-6°C
14	05330000	FUEL HOSE 7X250/1D81	1			
15	50523800	CLAMP 16/1D81	1			
16	05240400	NIPPLE/1D81	1			
17	50570900	CLAMP 12, 8	1			
18	03664310	FUEL HOSE 5. 0X75/1D81	1			
19	01473610	FUEL FILTER W. PIPES/1D81	1			
20	50387300	FUEL FILTER / SIEVE 1D81	1			
21	50001000	JOINT A10X16/1D81	1			
22	05126000	DRAIN PLUG/1D81	1			
23	05029200	BUSH 9X18X8 /1D81	4			
24	03663710	FUEL HOSE 5, 0 X 50	1			
25	01490300	PROTECT GUARD TOP	1			
27	04030901	SEALING STRIP 29MM	1			
31	50148000	HEXAGON NUT M8	2			
32	50208500	SPRING WASHER 8	6			
46	50177100	HEXAGON SCREW M 6X 16	1			
47	50158400	PIPE CLIP 14/15 /1D81	2			
48	50144500	FLAT WASHER 6, 4	1			
49	50144400	HEXAGON NUT M6	1			
50	05031900	GUARD/FILTER	1			
51	50590000	CLAMP 12, 0	1			
52	05235602	STICKER DIESEL	1			
53	04098400	SPACER TUBE 7 X 12 X 16, 3	1			
54	50170900	SPRING WASHER 6	1			
55	50323900	ALLEN SCREW M6 X 30 /1B40	1			

1D81S325
Z02a AIR FILTER

BUK0



1D81S-325

2015/1/6

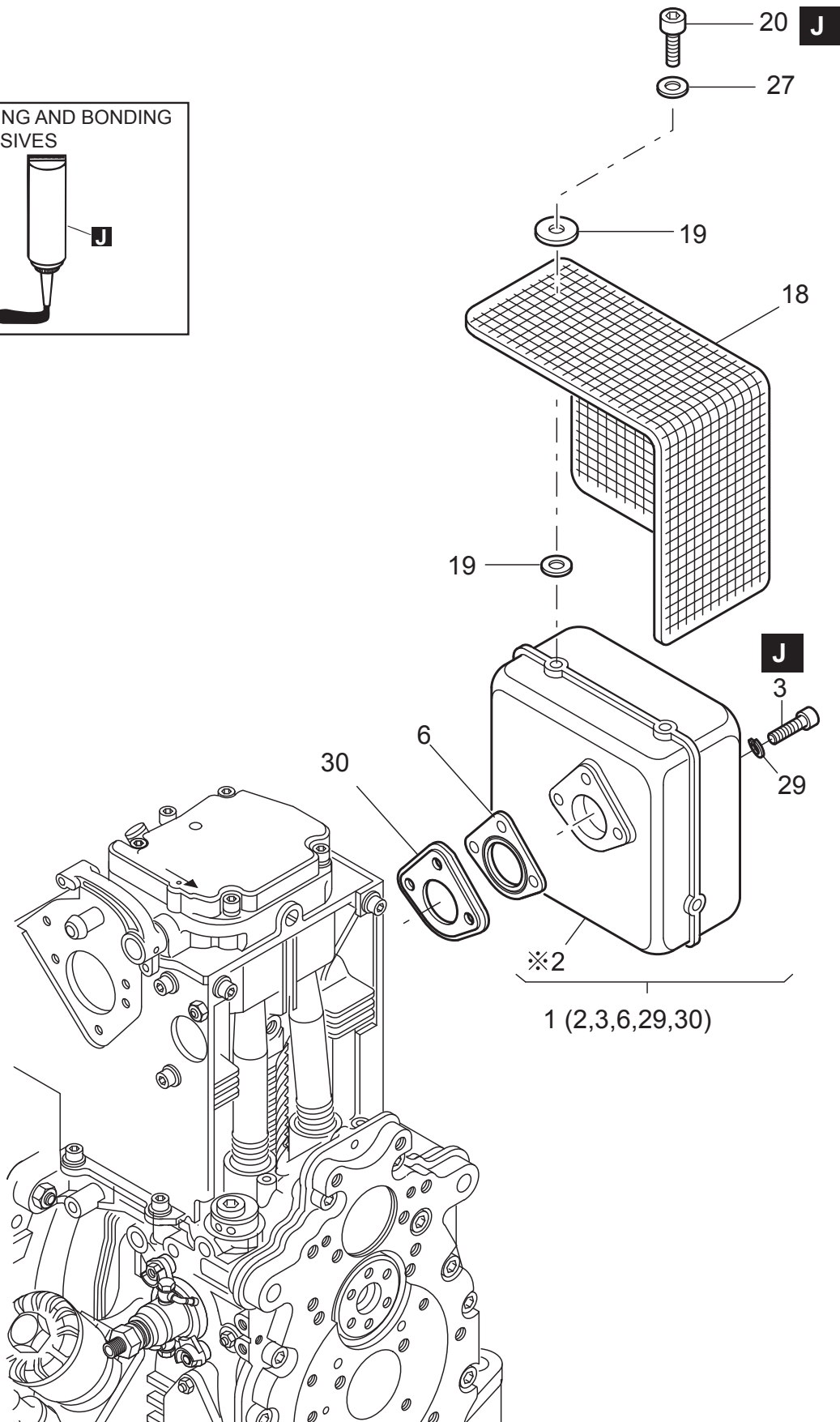
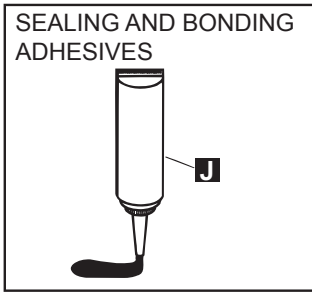
Z02a AIR FILTER

** BUK **

REF NO.	PART NO.	PART NAME	Q' TY	MRK	MK2	REMARKS
1	50038900	STUD M8X60/1D81	2			
2	DH0-40063-00	GASKET AIR FILTER/1D81	3			
3	04006200	INSULATING FLANGE/1D81	1			
5	50095100	SPRING WASHER A 8	1			
6	50398400	ALLEN SCREW M8X45A3C/1D81	1			
7	01493000	CLEANER ELEMENT/1D81	1			
8	01483401	RETAINING BRACKET/1D81	1			
9	50148100	FLAT WASHER 8, 4	2			
10	50129500	HEXAGON NUT M8	2			
12	02024200	CENTERRING COVER/1D81	1			
15	50062400	JOINT A10 X13, 5	1			
16	50062300	CLOSS SCREW M10 X 1 /1B40	1			
34	02280100	COVER, AIRFILTER / 1D81	1			
35	DH0-40477-01	SEALING STR. LG704	1			
40	50452200	WING NUT M6	1			
41	01287900	GASKET, AIR FILTER / 1D81S	1			
42	04047300	INTERMEDIATE FLANGE/1D81	1			
46	50411900	CLOSING PLUG 7 /1D81S-325	2			
50	50406600	HOSE CLIP 40/60 /1D81	2			
51	00575900	CAP /1D81	1			
52	05033500	VALVE PLATE/1D81	1			
53	05044501	INDIC. PLATE/1D81	1			
54	05043601	RUBBER CAP/1D81	1			
55	05045600	SIGNAL RING/1D81	1			
56	05137200	FILTER/1D81	1			
57	05043700	ADAPTER/1D81	1			
58	50173500	PIPE CLIP 10/15 /1D81	1			
59	50170900	SPRING WASHER 6	1			
60	50170600	ALLEN SCREW M6 X 20 /1D81	1			
61	05325400	FUEL HOSE 3. 5X50/1D81	2			
63	50159500	RING PIECE/1D81	1			
64	50006200	BANJO BOLT 6-3/1D81	1			
65	50062400	JOINT A10 X13, 5	2			
66	DH0-14998-01	SENDER/1D81	1			
85	50358400	STRAP	1			
86	DH0-14866-01	AIR FILTER HOUSING	1			
111	4694-67010	INTAKE PIPE /MVH-308DSZ	1			
112	4664-62840	DUCT GROMMET	1			

1D81S-325
Z03a MUFFLER

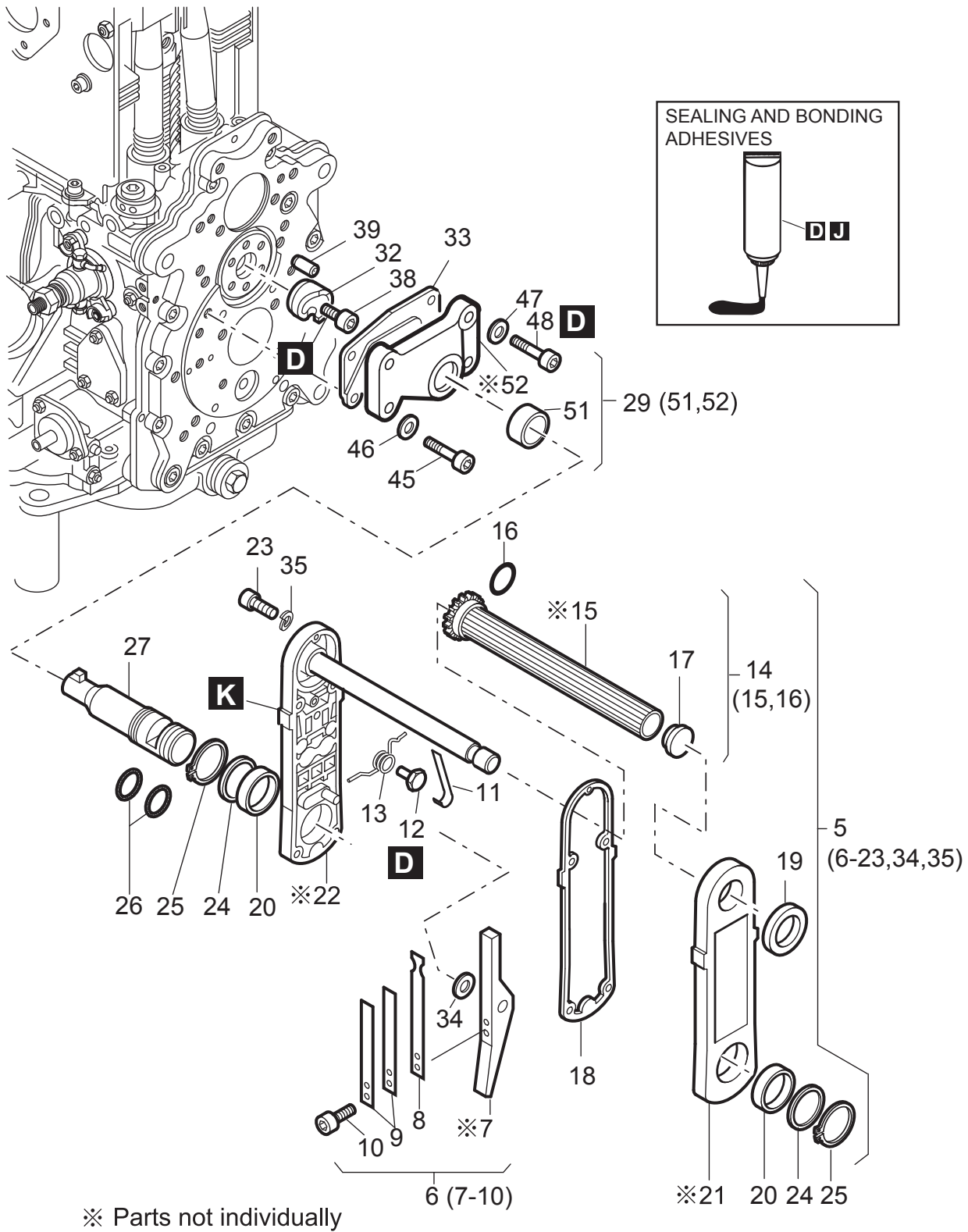
BULO



※ Parts not individually

1D81S-325
 Z04 STARTING HANDLE

BUM0



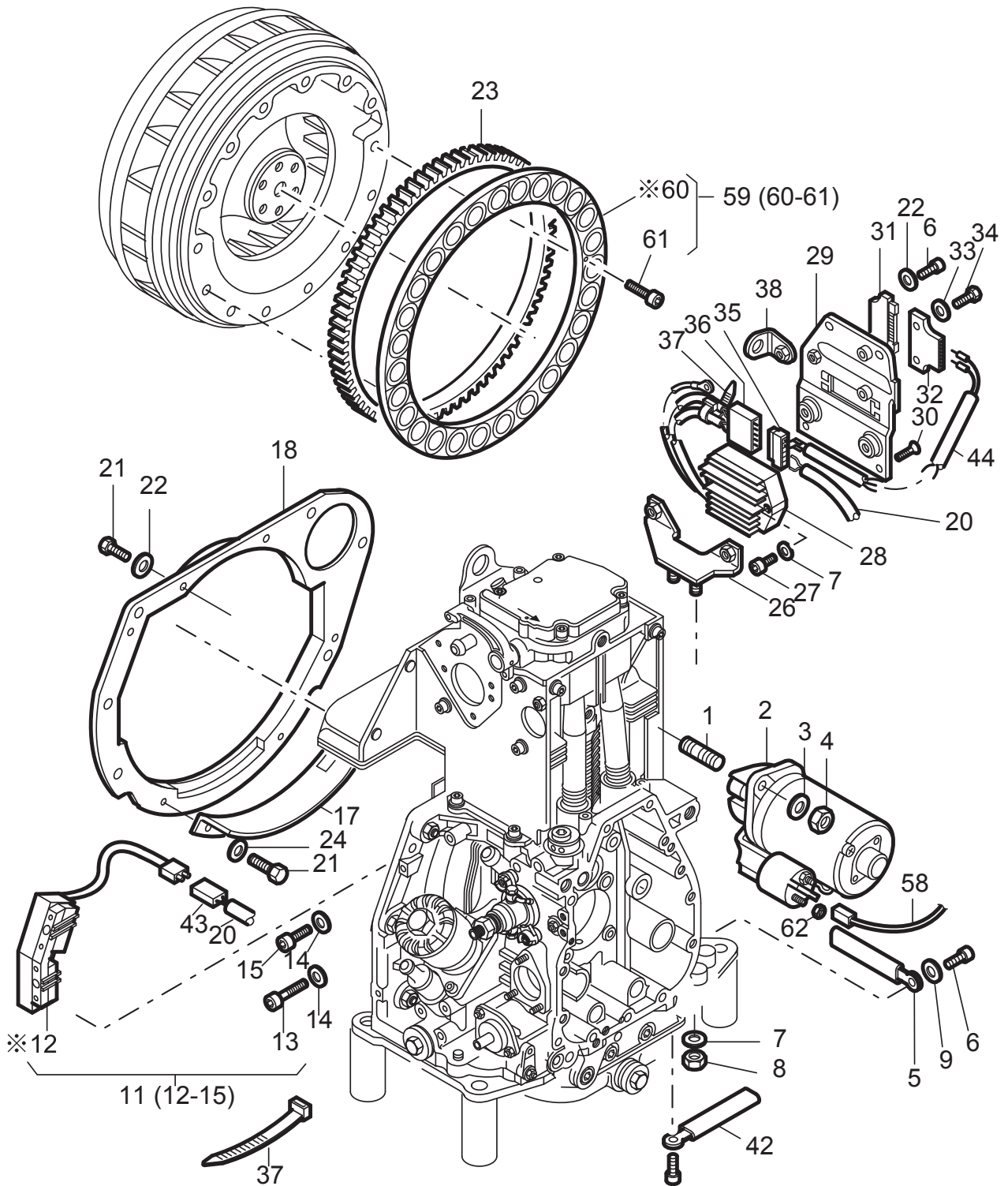
Z04 STARTING HANDLE

** BUM **

REF NO.	PART NO.	PART NAME	Q' TY	MRK	MK2	REMARKS
D	50223300	LOCTITE 221	1		!70	
K	50342600	GREASE START. DEVICE	1		!50	
5	01027805	CR. HANDLE-SAFETY AY/1D81	1			
6	01011404	LEVER /1D81	1			
8	03812102	PLATE SPRING/1D81	1			
9	03917100	PLATE SPRING/1D81	2			
10	50316500	ALLEN SCREW M5 X 8 /1D81	2			
11	03954900	PLATE SPRING/1D81	1			
12	03955600	HEXAGON SCREW /1D81	1			
13	03955900	SPRING A /1D81	1			
14	01011310	HANDLE CPL. /1D81	1			
16	50169100	O-RING 19X1.8/1D81	1			
17	50199200	CLOSING PLUG/1D81	1			
18	03813000	GASKET/1D81	1			
19	50194200	OIL SEAL 28X35X4	1			
20	50193400	BUSH/1D81	2			
23	50236600	ALLEN SCREW M6 X 25 /1B40	5			
24	03928610	SHIM 30X38X0.15/1D81	2			SELECT 0-2
25	50194300	CIRCLIP AK30X1.5/1D81	2			
26	50258500	O-RING 2.6X1.5	2			
27	01187202	CR-HANDLE SHAFT 80	1			80MM
29	01463600	GUIDING SHELL	1			
32	04020310	CRANK JOW LEFT/1D81	1			
33	03985300	GUARD/1D81	1			
34	50195800	SHIM 10X16X1.0/1D81	1			
35	50170900	SPRING WASHER 6	5			
38	50134900	ALLEN SCREW M8 X 16 /1D81	1			
39	50387100	CYL. PIN 5X20/1D81	1			
45	50183000	ALLEN SCREW M8 X 35	2			
46	50148100	FLAT WASHER 8,4	2			
47	50145900	FLAT WASHER 10.5/1D81	2			
48	50327800	ALLEN SCREW M10X35/1D81	2			
51	50387601	BUSH 1 INCH/1D81	1			1"

1D81S-325
Z05a STARTING MOTOR

BUN0



※ Parts not individually

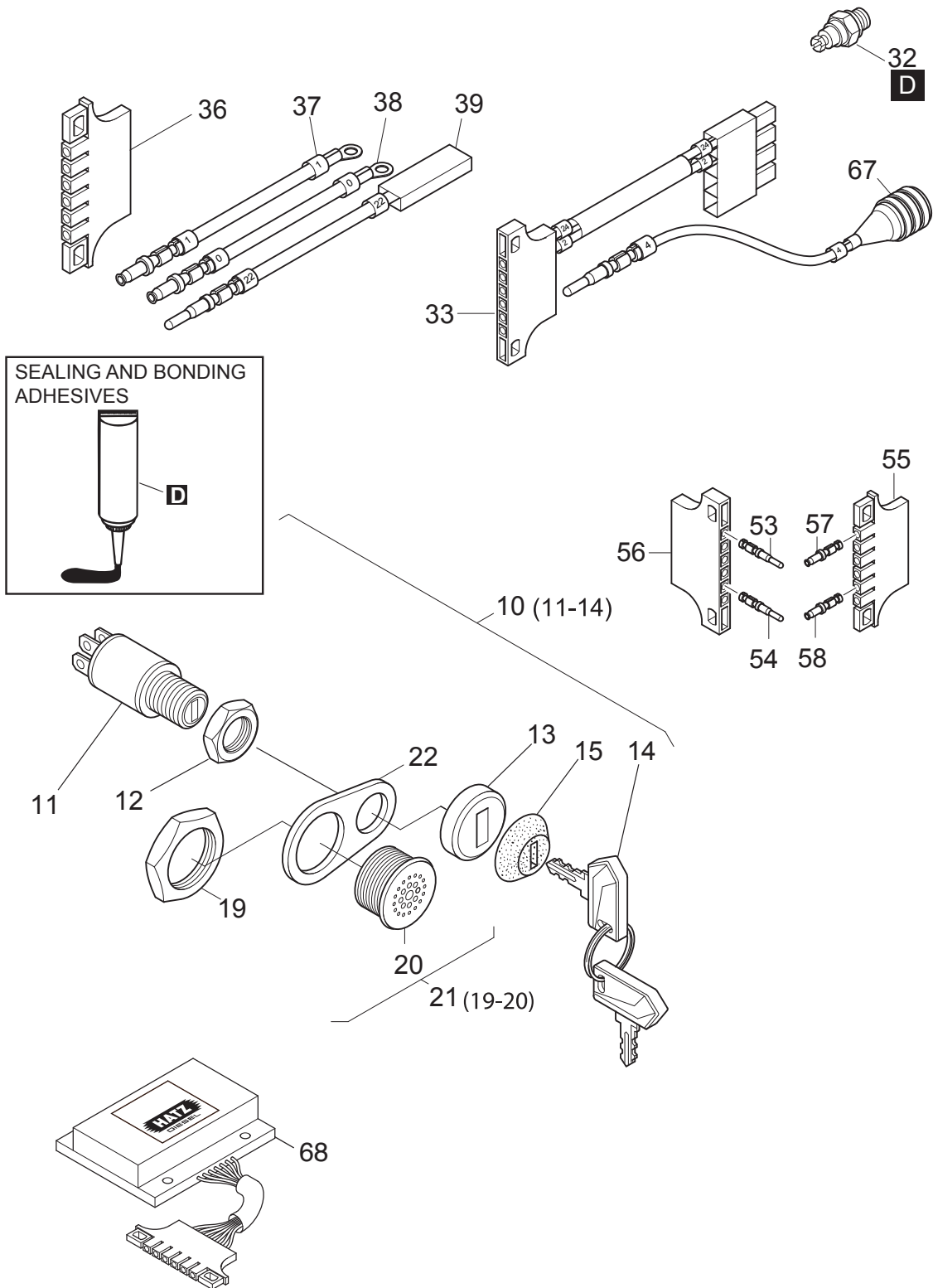
Z05a STARTING MOTOR

** BUN **

REF NO.	PART NO.	PART NAME	Q' TY	MRK	MK2	REMARKS
1	50486400	STUD M12X50/1D81	2			
2	50495901	STARTER 12V-2.0KW/1D81	1			
3	50093700	FLAT WASHER A13/1D81	2			
4	50380600	HEXAGON NUT M12/1D81	2			
5	05001200	CLIP	2			
6	50149100	ALLEN SCREW M6 X 12	2			
7	50208500	SPRING WASHER 8	4			
8	50148000	HEXAGON NUT M8	2			
9	50144500	FLAT WASHER 6, 4	1			
11	01592400	COIL CPL. 12V. 200W/1D81	1			
13	50448800	ALLEN SCREW M6 X 40 /1D81	1			
14	50390701	CON. SPRING WASHER 6	2			
15	50448700	ALLEN SCREW M6 X 30	1			
17	04021100	PROTECT. ALTERNATOR/1D81	1			
18	04009920	PARTING SHEET/1D81	1			
20	01462800	ELECTRIC WIRE/1D81	1			SELECT 0-1
21	50165500	HEXAGON SCREW M6 X 12	5			
22	50170900	SPRING WASHER 6	6			
23	04021210	GEARRING S/Z/C /1D81	1			
24	50144500	FLAT WASHER 6, 4	2			
26	01440303	SUPPORT /1D81	1			
27	50183000	ALLEN SCREW M8 X 35	2			
28	01983800	REGULATOR 12V	1		!02	
29	01440100	FASTENING PLATE/1D81	1			
30	50422501	COUNTERSUNK SCREW M6 X 12	2			
31	50373700	PLUG SLEEVE HOUSING	1			
32	50373600	PIN TERMINAL HOUSING 6WAY	1			
33	50216300	WASHER 5, 3	2			
34	50335700	HEXAGON SCREW M5X 25/1D81	2			
35	50402100	PLUG SLEEVE HOUSING	1			
36	50402000	PLUG HOUSING 4-P/1D81	1			
37	50358400	STRAP	4			
38	01440200	SUPPORT/1D81	1			
42	05023900	CLIP/1D81	2			
43	50379700	PLUG HOUSING 2-P/1D81	1			
44	01439400	WIRING HARNESS/1D81	1			
58	01193401	ELECT. WIRE START. 50	1			
59	01587300	MAGNETIC RING 200W/1D81	1			
61	50446900	ALLEN SCREW M4 X 16	14			
62	50344700	HEXAGON NUT M8	1			

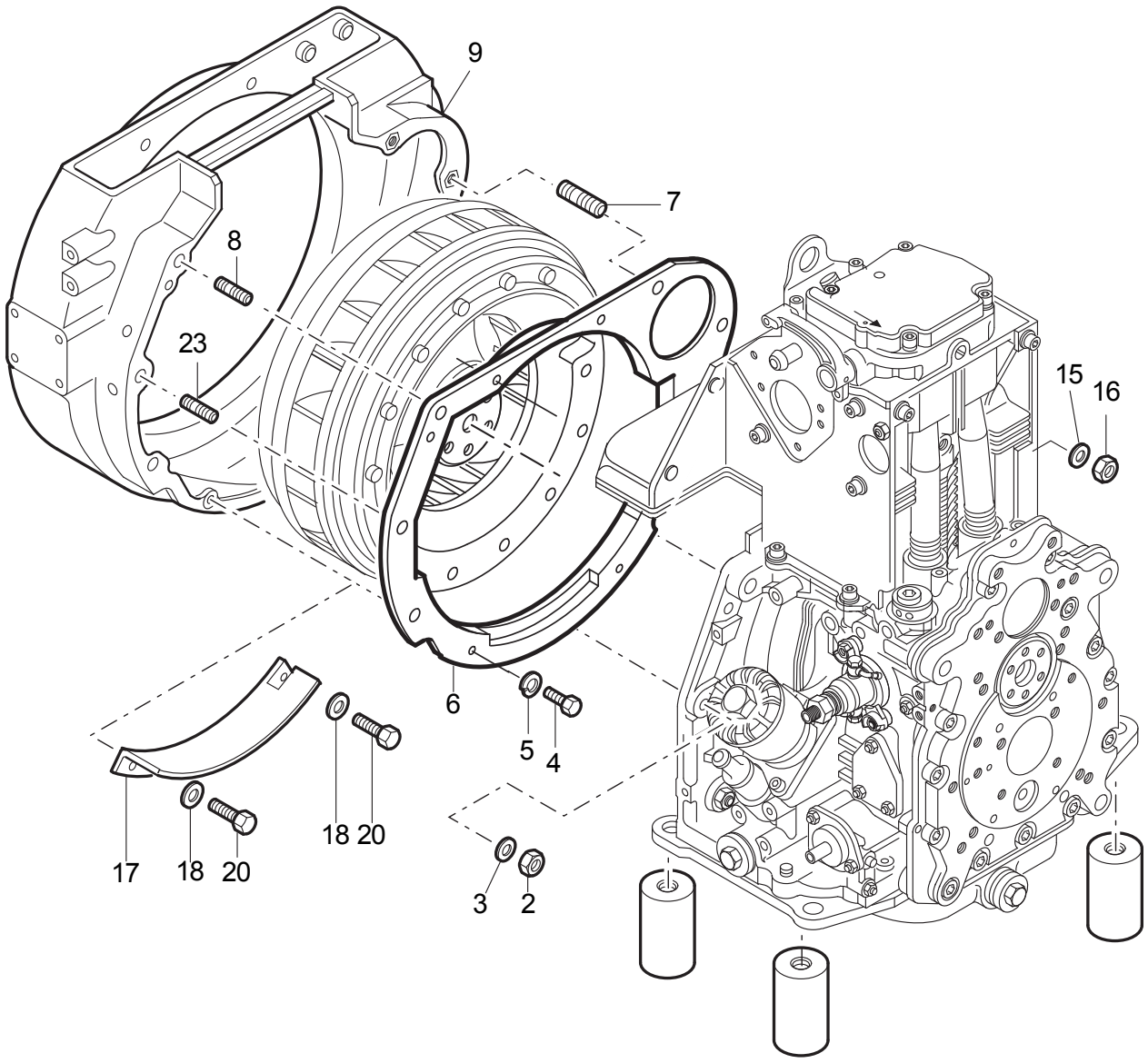
1D81S-325
Z05c ELECTRIC CONNECTION

BUQ0



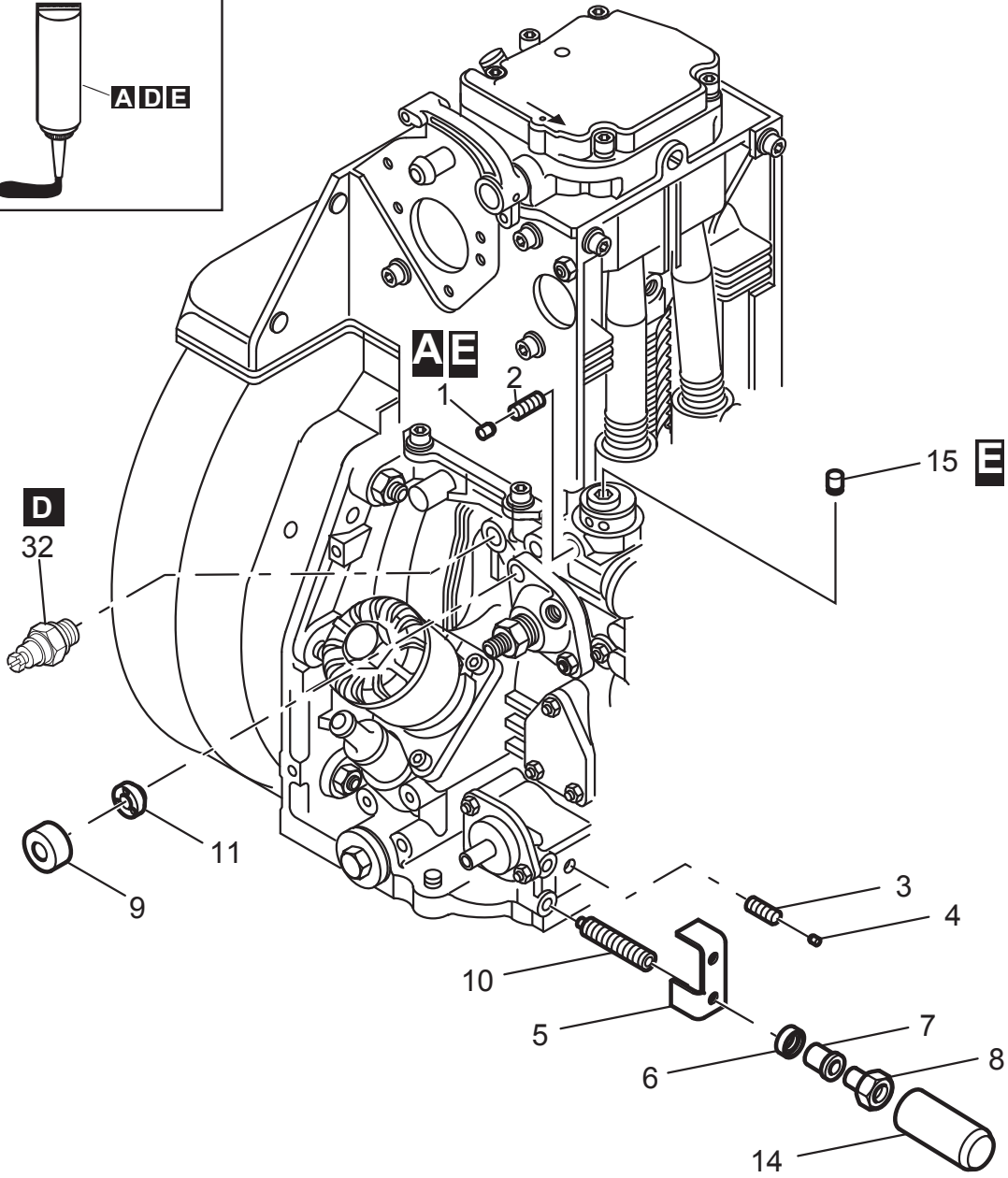
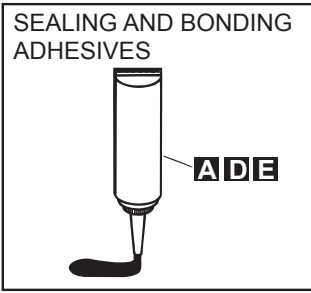
1D81S-325
Z15 INTERMEDIATE HOUSING

BUPO



1D81S-325
Z90 SPEC EQUIPMENT

BU00





MIKASA SANGYO CO., LTD.

HEAD OFFICE

No.4-3, Sarugakucho 1-chome,
Chiyoda-ku, Tokyo, 101-0064,
Japan

<http://www.mikasas.com>