

HAND PUMP AY

MVH-308

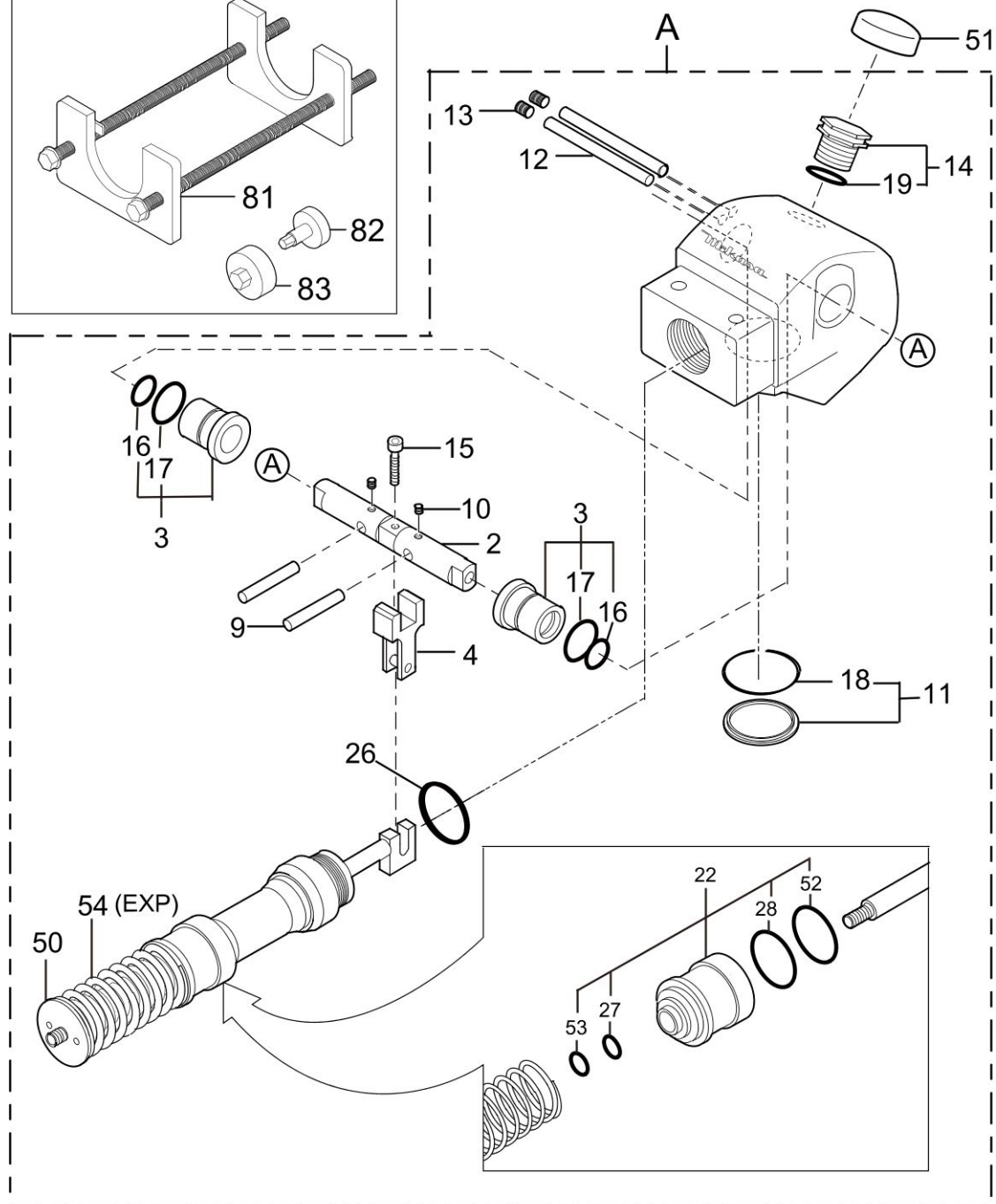
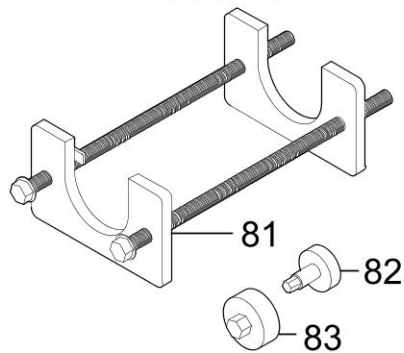
4WL0

HAND PUMP AY(EXP.) / ハンドポンプ AY(輸出向)

◎:O-RING,DUST SEAL SET  
(INCLUDES ITEMS W / Ref.No.16-19,26-28,52,53)

C

For disassembly (Option)



HAND PUMP AY

NO.	PART/NO.	Parts Name	Q' TY	MK	MK2	REMARKS
A	4672-19140	HAND PUMP (EXP. )/MVH-308	1			
C	4649-10080	O-RING & DUST, SEAL, SET	1			
2	4640-10040	CONTROL SHAFT (PUMP) MVH306	1			
3	4670-10020	BUSH /MVH-308	2			INCL. 16. 1 7
4	4640-10060	CAM (PUMP) /MVH-306	1			
9	4640-10070	STOPPER (PUMP) /MVH-306	2			
10	0992-05005	SOCKET HEAD SCREW 5X5 T	2			
11	4640-10080	PLUG/MVH-306	1			INCL. 18
12	4640-10090	PIN, STOPPER (PUMP) /MVH-306	2			
13	4640-10100	PLUG/MVH-306	2		!5060-10160	
14	4580-10080	BREATHER (PUMP) MVH100/150	1			INCL. 19
15	0015-20620	SOCKET HEAD BOLT 6X20 T	1			
16	0502-00200	O-RING P-20	2			
17	0502-00220	O-RING P-22	2			
18	0503-00380	O-RING S-38	1			
19	0502-00180	O-RING P-18	1			
22	4640-10111	ACCUMULATOR CASE/306 (NEW)	1			
26	0503-00400	O-RING S-40	1			
27	0502-00150	O-RING P-15	1			
28	0501-00400	O-RING G-40	1			
50	4640-10120	SPRING PLUG /MVH-306	1			
51	4584-51630	BREATHER CAP/ MVH-100/150	1			
52	0699-04010	DUST SEAL SER-40	1			
53	0699-01010	DUST SEAL SER-15	1			
54	4659-10080	ACCUMULATOR, SPRING SET	1			SET
81	9840-10060	SPRG. COMPRESSION TOOL/EXP	1			TOOL, EXP
82	9840-10040	DISASSEMBLING TOOL A/306	1			TOOL
83	9840-10050	DISASSEMBLING TOOL B/306	1			TOOL