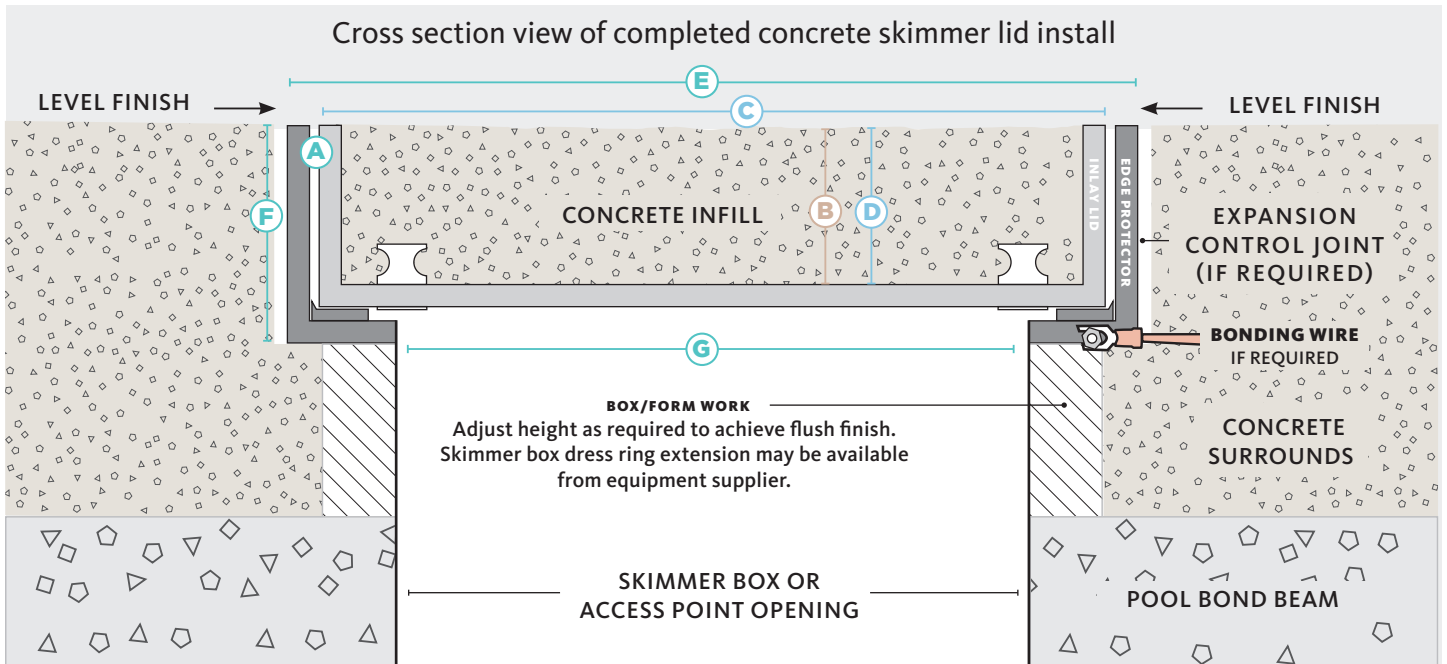




HIDE KIT SERIES

ACCESS COVERS AND DRAIN COVERS CONCRETE INFILL



HIDE products are recommended for use in pedestrian traffic areas only.

Information correct at time of printing, changes may be made without notice. Modifications and updates can be viewed on our website - www.skimmerlids.com.au

ACCESS COVERS Concrete Infill Range (Two Keys and Horizontal Lift)

KIT SIZE mm	HIDE KIT PRODUCT ORDER CODE	CONCRETE THICKNESS mm	INLAY LID		EDGE PROTECTOR FRAME		
			SIZE mm	INTERNAL DEPTH mm	SIZE mm	EXTERNAL DEPTH mm	UNDERSIDE OPENING mm
	A	B	C	D	E	F	G
156	HCON156-40	43	150 sq.	43	156 sq.	53	122 sq.
206	HCON206-40		196 sq.		206 sq.		162 sq.
256	HCON256-40		250 sq.		256 sq.		222 sq.

SKIMMER LID or ACCESS COVER Concrete Infill Range

306	HCON306-40	43	300 sq.	43	306 sq.	53	252 sq.
342	HCON342-40		336 sq.		342 sq.		288 sq.

SKIMMER LIDS with easy form Concrete Collar option (see reverse for details)

306	HCONC306-240-40	43	300 sq.	43	306 sq.	53	240 round
	HCONC306-270-40						270 round

DRAIN COVERS Concrete Infill Range (Fit over a *suited pit or mortar regression)

314	HDCON314-40	43	300 sq.	43	314 sq.	53	260 sq.
342	HDCON342-40		328 sq.		342 sq.		288 sq.

*314 DRAIN (Compatible with Everhard Rainwater Pit - Pit not included)

*342 DRAIN (Compatible with Everhard Series 300 Pit - Pit not included)



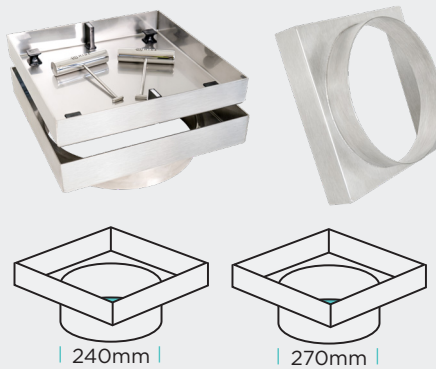
HIDE®

HIDE KIT SERIES CONCRETE

SKIMMER & ACCESS COVERS



NEW CONCRETE COLLAR



DRAIN COVERS



314-40
(Rainwater pit)

342-40 (Series 300 Pit)

HIDE CONCRETE COVER KIT INCLUDES

SAFETY KEYS

A 316L marine grade stainless steel tool, to enable the installed HIDE cover to be safely and easily opened and closed.

INLAY LID

A 316L marine grade stainless steel tray which holds the concrete, which is poured directly into the lid.

EDGE PROTECTOR

A 316L marine grade stainless steel frame inserted into a recess within the landscaped area. It protects the coping/surrounds from chipping/breakage when the Inlay Lid is opened/closed.

DOCUMENTATION

Documents consist of comprehensive contractor installation instructions, homeowners manual and warranty.



Worlds only fully
customisable dual inlay
system

NO ACID OR CHEMICAL WASH

ACID and chemical washes will cause discolouration and/or rusting on the stainless steel HIDE components. Acid or chemical contact will void the HIDE warranty.

Please scan and read the Care & Maintenance document to better understand stainless steel care.



CARE & MAINTENANCE



HEAD OFFICE
26 Link Drive,
Yatala, Qld, 4207
Australia

P: 07 3807 2551
M: 0427 270 560
E: admin@skimmerlids.com.au
W: www.skimmerlids.com.au

PROUDLY MANUFACTURED BY:

SKIMMER LIDS
PTY LTD

@hideskimmerlids



Patents: AUST, UK, NZ available: www.skimmerlids.com.au USA/Canada: www.skimmercovers.com (under technical)